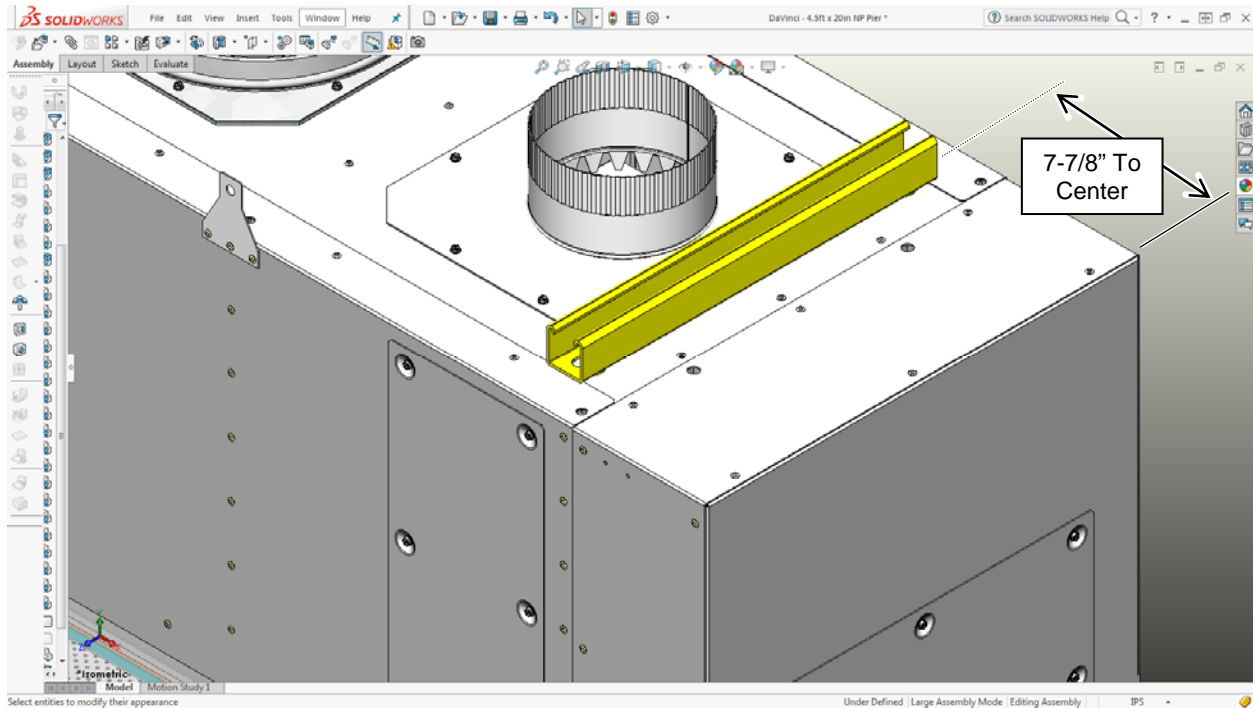




## DaVinci Postless Pier Installation Instructions

The fireplace is shipped with a 16" section of Unistrut® attached to the top of the pier end of the unit (see the illustration below). All other Unistrut® components must be supplied by the installer.



### Support Requirements

- 3' See through (completed top section only) **117lbs.**
- 4' see through (completed top section only) **147lbs.**
- 5' See through (completed top section only) **181lbs.**

**NOTE:** If using a category 2 Pier, double the weight listed above (an 8' see through would require 294lbs. support).

**NOTE:** All facing materials (tile, marble, etc.) should be supported from above. This prevents the facing from altering fireplace alignment.

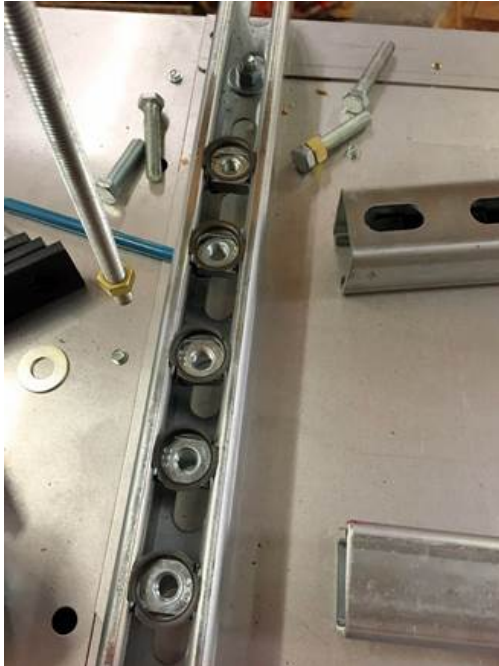


**TRAVIS INDUSTRIES**  
**HOUSE OF FIRE**

10/4/2016

## DaVinci Postless Pier Installation Instructions

From it you will add 5x 3/8"-16 Unistrut® channel nuts as shown below.



Next you are going to secure a piece of 1-5/8 x 1-5/8" of Unistrut® to multiple beams in the ceiling. If there is an attic above the beams then secure the Unistrut® on top of the beams, otherwise secure the Unistrut® to the bottom of the beams with the appropriate hardware (not provided).

Next measure the distance between the top and bottom pieces of Unistrut® and cut 2 more pieces of Unistrut® (not included) about ¼ to 3/8" short of that length (you may need the room for adjustment later). Unistrut® can be ordered from your local hardware store or McMaster.com. Make sure to purchase 1-5/8 x 1-5/8" 12 gauge Unistrut® or equivalent strut channel (Unistrut® is a brand name, but there are several suppliers).

Next add 4x 3/8"-16 Unistrut® channel bolts to each vertical section of Unistrut®. Depending on how you mounted the top piece of Unistrut® you may need to add 5 channel bolts to the top section of Unistrut®. Bolt the top section of Unistrut® to the 2 vertical members using the 1-5/8 x ¼" channel connectors, bolts and washers provided.



**TRAVIS INDUSTRIES**  
**HOUSE OF FIRE**

10/4/2016

## DaVinci Postless Pier Installation Instructions



Run the 3/8" all-thread provided from the top piece of Unistrut® to the lower as shown in the pictures below. This will be used as fine height adjustment later. Bolt the 2 vertical members of Unistrut® to the lower piece using the 1-5/8 x 1/4" channel connectors, bolts and washers provided.



**TRAVIS INDUSTRIES**  
**HOUSE OF FIRE**

## DaVinci Postless Pier Installation Instructions



With the brackets and all-thread secure, remove the shipping bracket and check the glass opening height. If it is not correct (20") then loosen the 2 bottom bolts on each vertical piece of Unistrut® and use the all-thread to correct the height (this is why you cut the vertical pieces of Unistrut® short). Once you have the correct height then tighten all the bolts.



**TRAVIS INDUSTRIES**  
**HOUSE OF FIRE**

10/4/2016

## DaVinci Postless Pier Installation Instructions



It should look like this when you are done.

