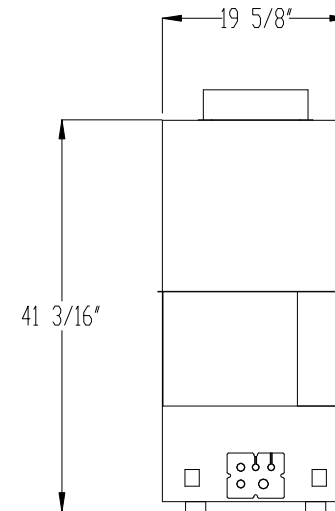
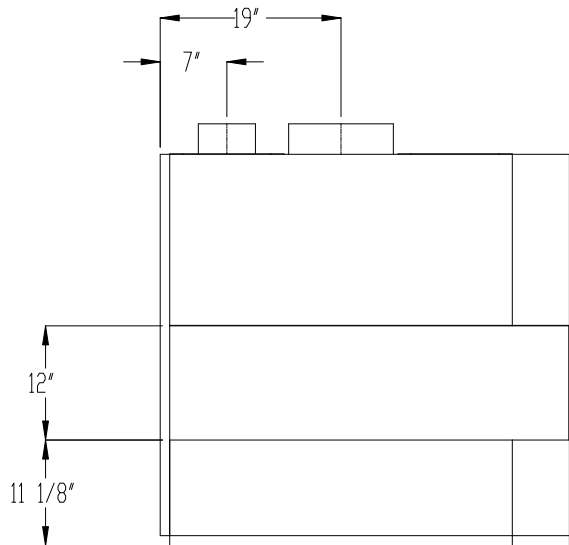
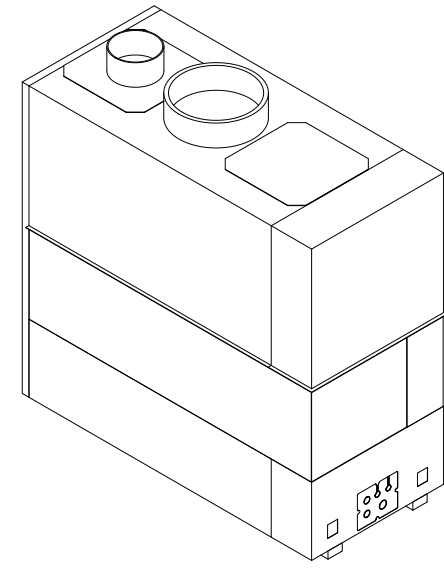
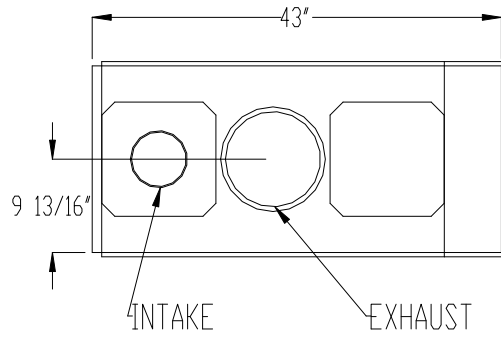


DaVinci Custom Fireplace™
STYLE: RIGHT CORNER 42" x 12"

Electrical Req'd - 7A 120V Gas Req'd - 43,500 BTU's

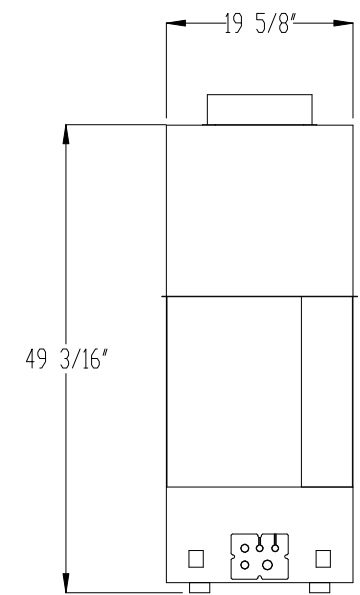
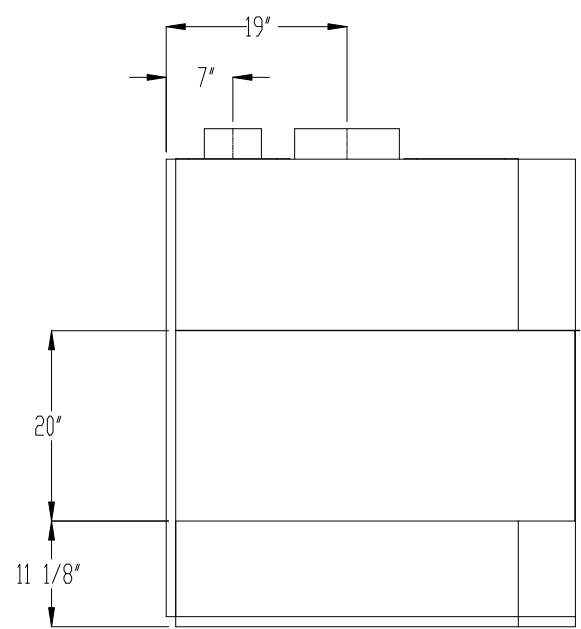
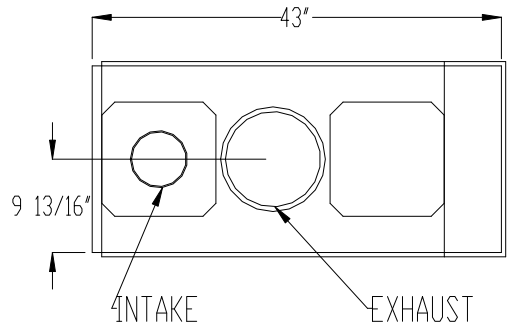
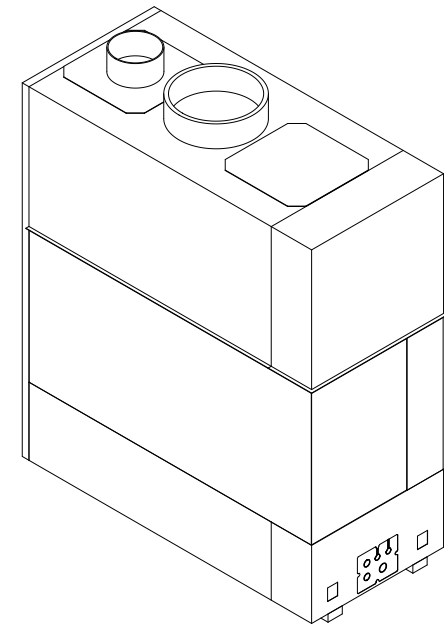
NG - Min = 5.5"wc (1.37kpa), Max = 7"wc (1.74 kpa)
LP - Min = 11"wc (2.74 kpa), Max = 13"wc (3.23 kpa)



DaVinci Custom Fireplace™
STYLE: RIGHT CORNER 42" x 20"

Electrical Req'd - 7A 120V Gas Req'd - 43,500 BTU's

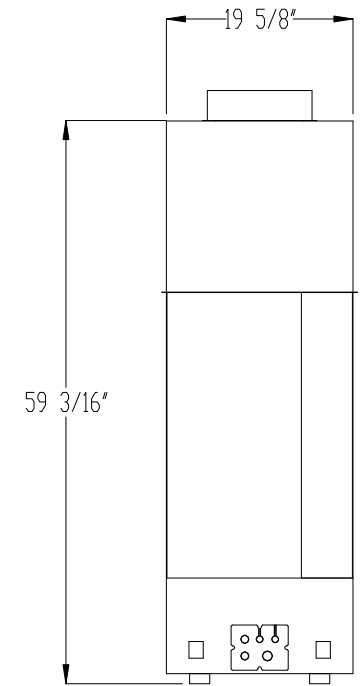
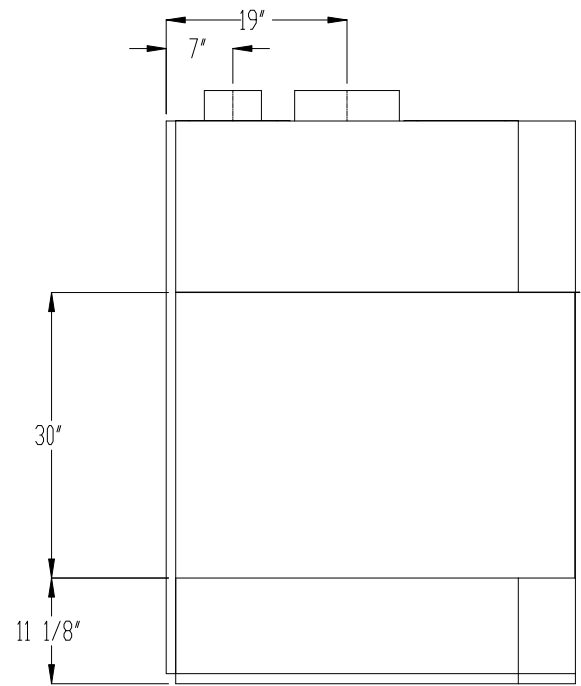
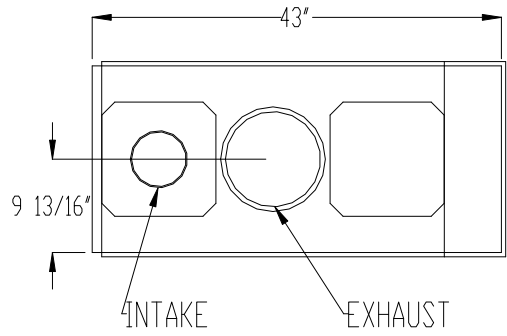
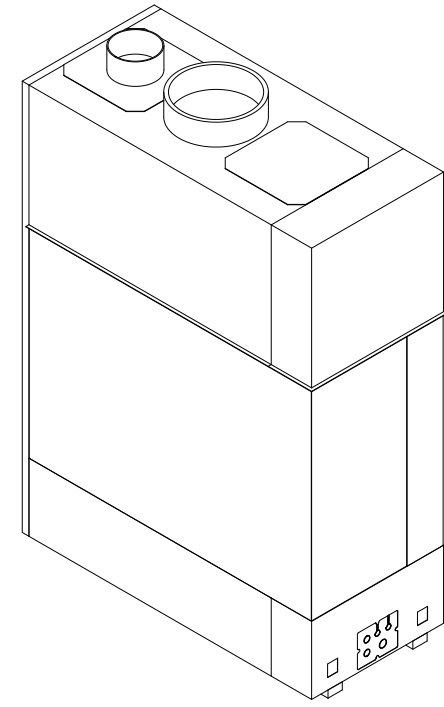
NG - Min = 5.5"wc (1.37kpa), Max = 7"wc (1.74 kpa)
LP - Min = 11"wc (2.74 kpa), Max = 13"wc (3.23 kpa)



DaVinci Custom Fireplace™
STYLE: RIGHT CORNER 42" x 30"

Electrical Req'd - 7A 120V Gas Req'd - 43,500 BTU's

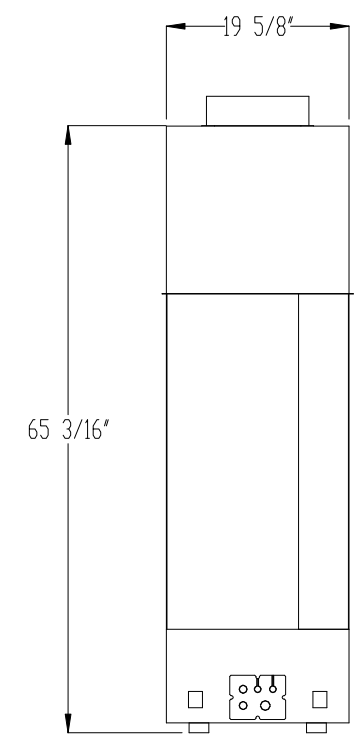
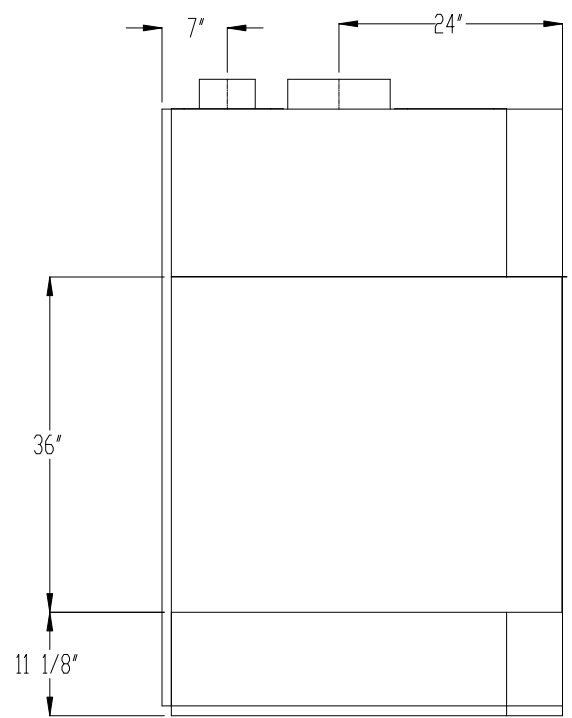
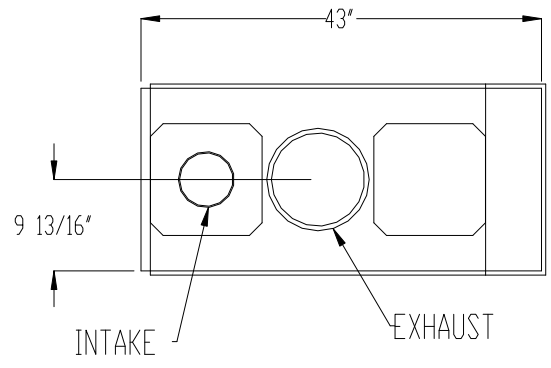
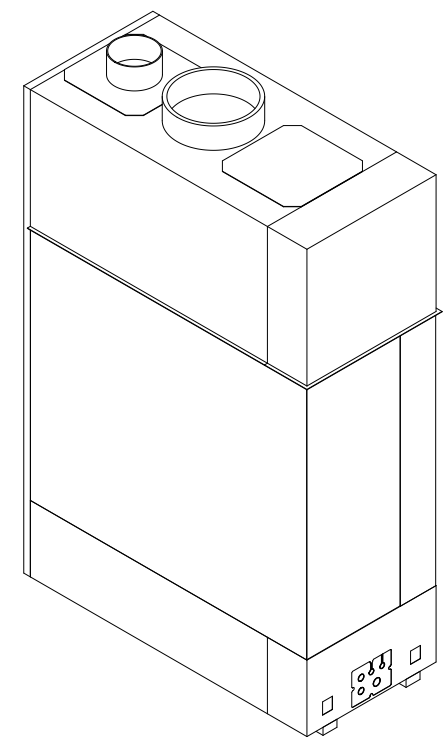
NG - Min = 5.5"wc (1.37kpa), Max = 7"wc (1.74 kpa)
LP - Min = 11"wc (2.74 kpa), Max = 13"wc (3.23 kpa)



DaVinci Custom Fireplace™
STYLE: RIGHT CORNER 42" x 36"

Electrical Req'd - 7A 120V Gas Req'd - 43,500 BTU's

NG - Min = 5.5"wc (1.37kpa), Max = 7"wc (1.74 kpa)
LP - Min = 11"wc (2.74 kpa), Max = 13"wc (3.23 kpa)



DaVinci Custom Fireplace™

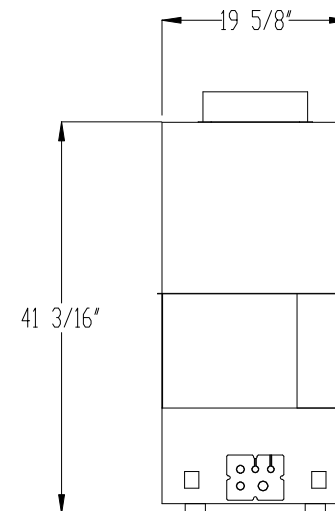
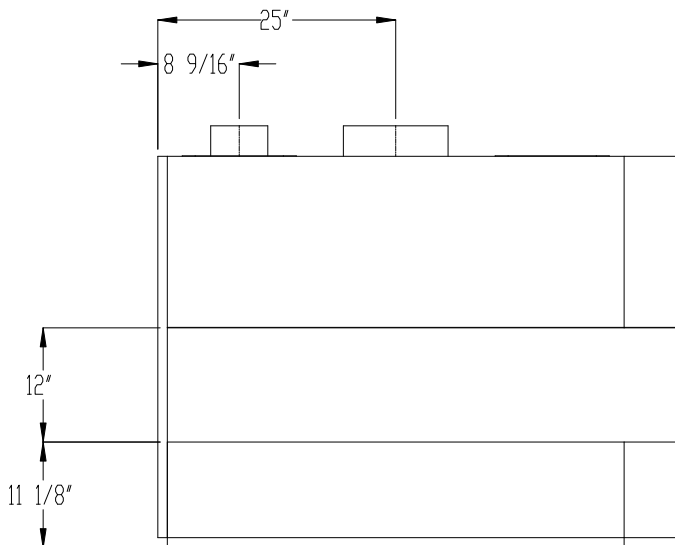
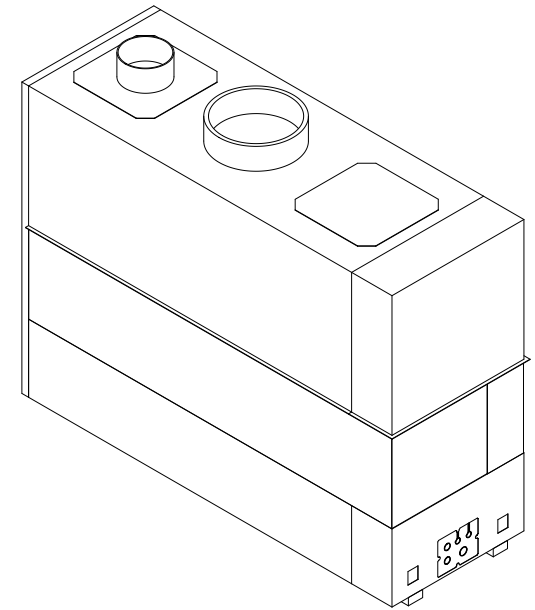
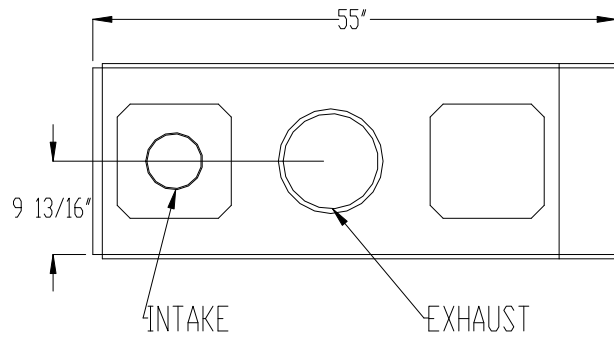
STYLE: RIGHT CORNER 54" x 12"

Electrical Req'd - 7A 120V

Gas Req'd - 58,000 BTU's

NG - Min = 5.5"wc (1.37kpa), Max = 7"wc (1.74 kpa)

LP - Min = 11"wc (2.74 kpa), Max = 13"wc (3.23 kpa)



DaVinci Custom Fireplace™

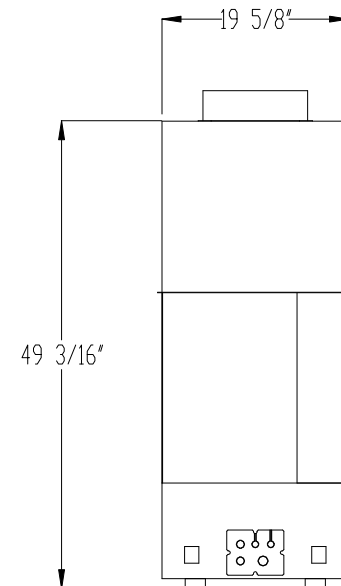
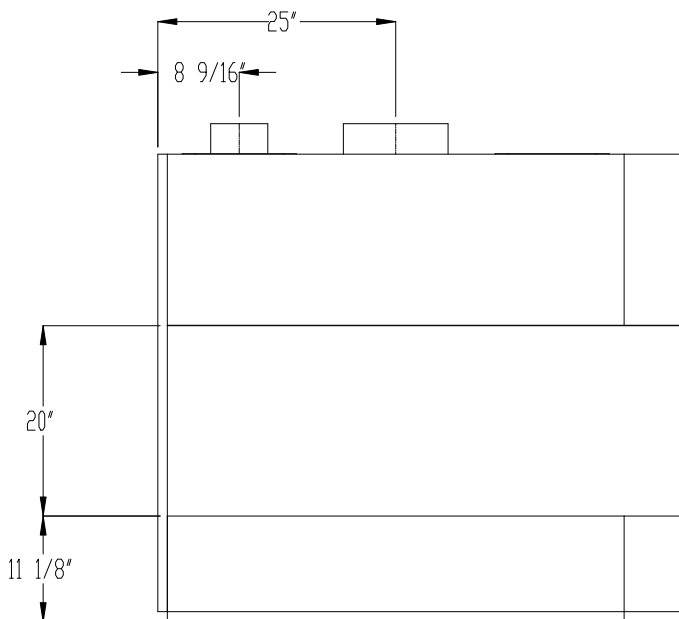
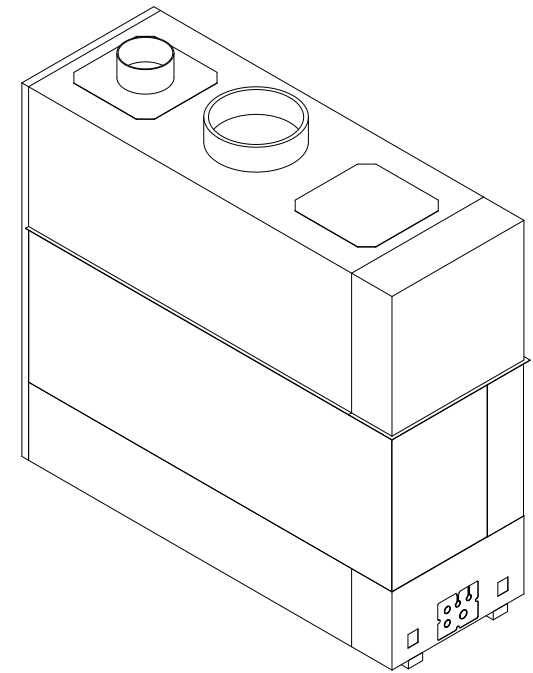
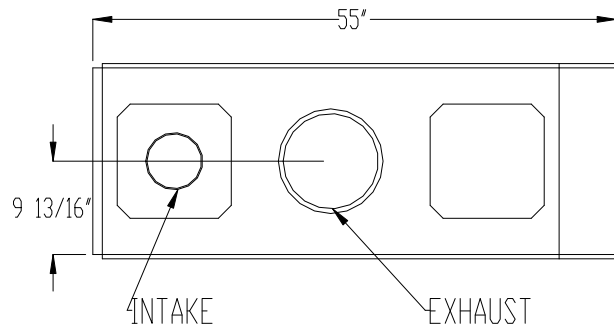
STYLE: RIGHT CORNER 54" x 20"

Electrical Req'd - 7A 120V

Gas Req'd - 58,000 BTU's

NG - Min = 5.5"wc (1.37kpa), Max = 7"wc (1.74 kpa)

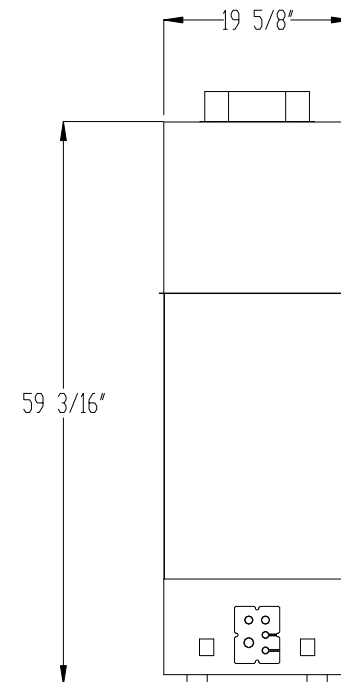
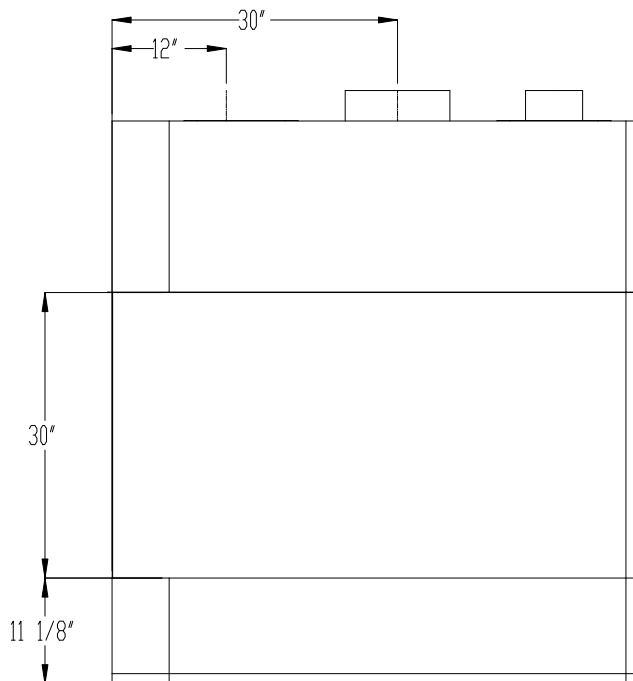
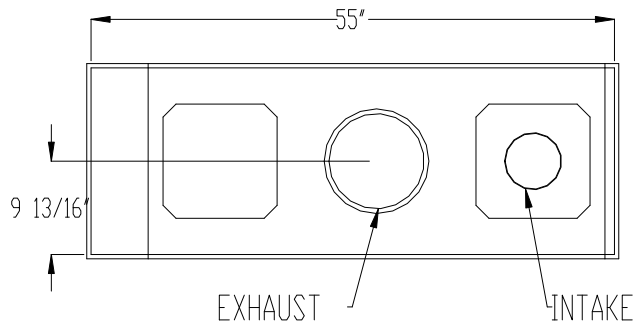
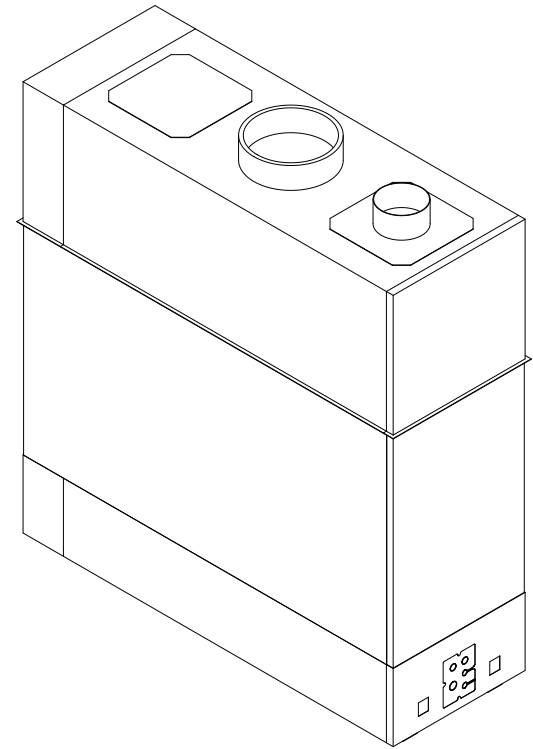
LP - Min = 11"wc (2.74 kpa), Max = 13"wc (3.23 kpa)



DaVinci Custom Fireplace™
STYLE: LEFT CORNER 54" x 30"

Electrical Req'd - 7A 120V Gas Req'd - 58,000 BTU's

NG - Min = 5.5"wc (1.37kpa), Max = 7"wc (1.74 kpa)
LP - Min = 11"wc (2.74 kpa), Max = 13"wc (3.23 kpa)



DaVinci Custom Fireplace™

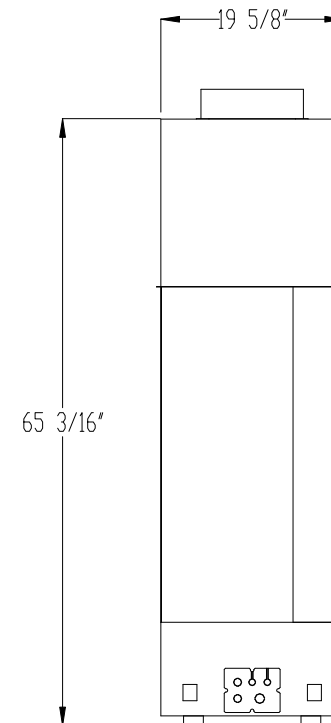
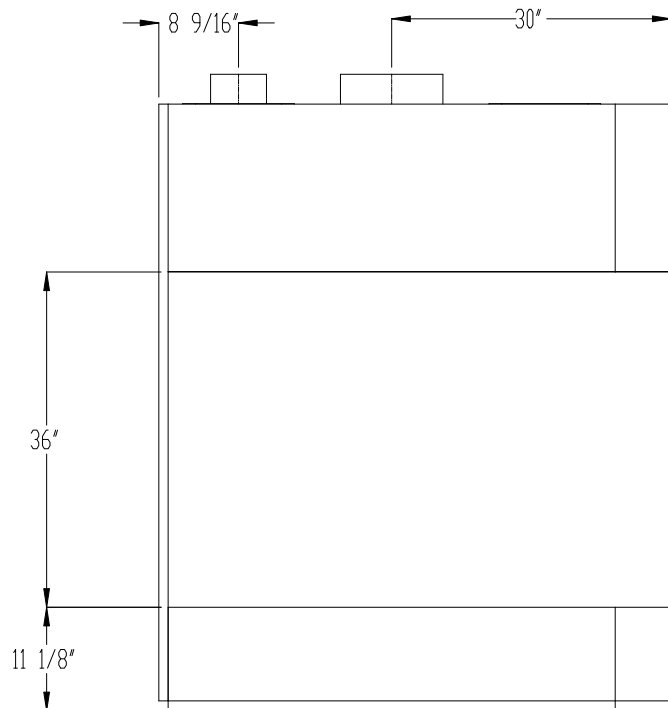
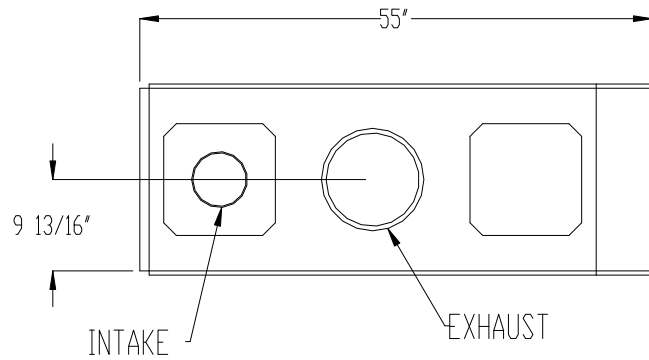
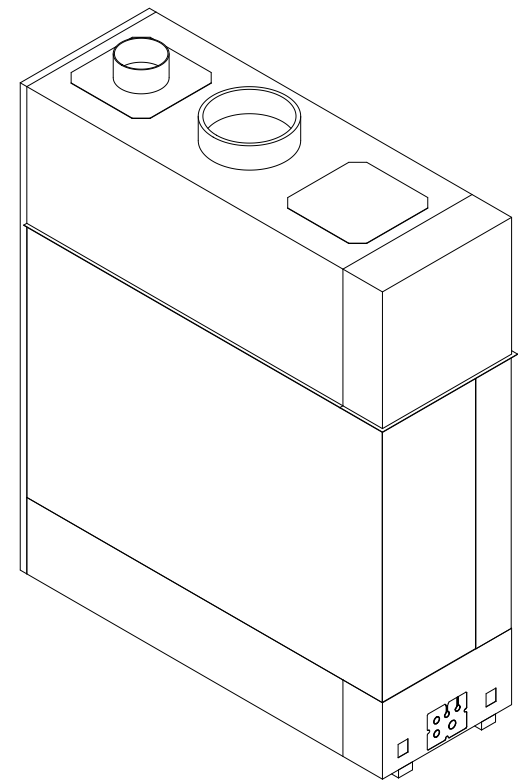
STYLE: RIGHT CORNER 54" x 36"

Electrical Req'd - 7A 120V

Gas Req'd - 58,000 BTU's

NG - Min = 5.5"wc (1.37kpa), Max = 7"wc (1.74 kpa)

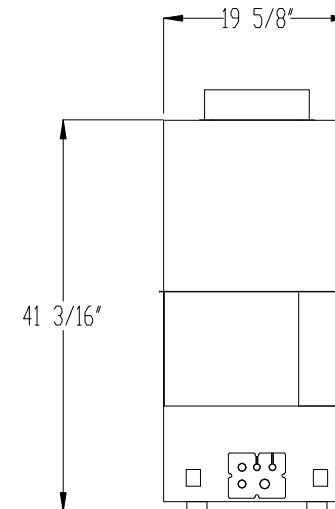
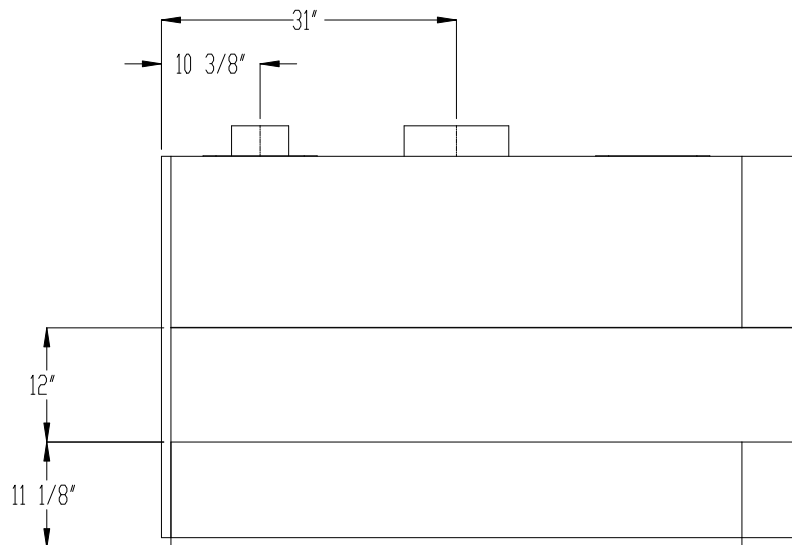
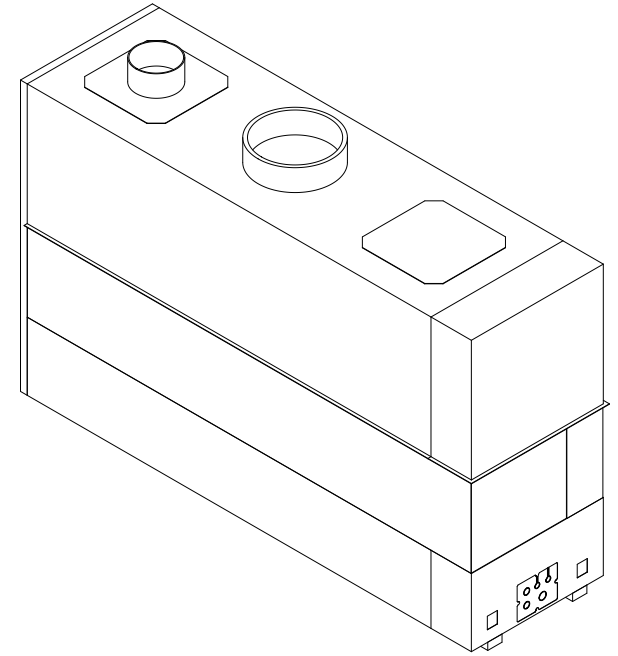
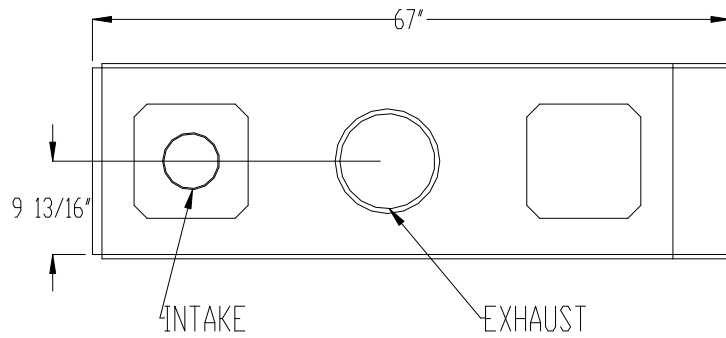
LP - Min = 11"wc (2.74 kpa), Max = 13"wc (3.23 kpa)



DaVinci Custom Fireplace™
STYLE: RIGHT CORNER 66" x 12"

Electrical Req'd - 7A 120V Gas Req'd - 72,500 BTU's

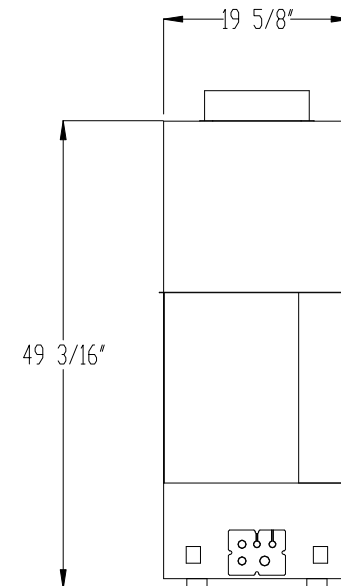
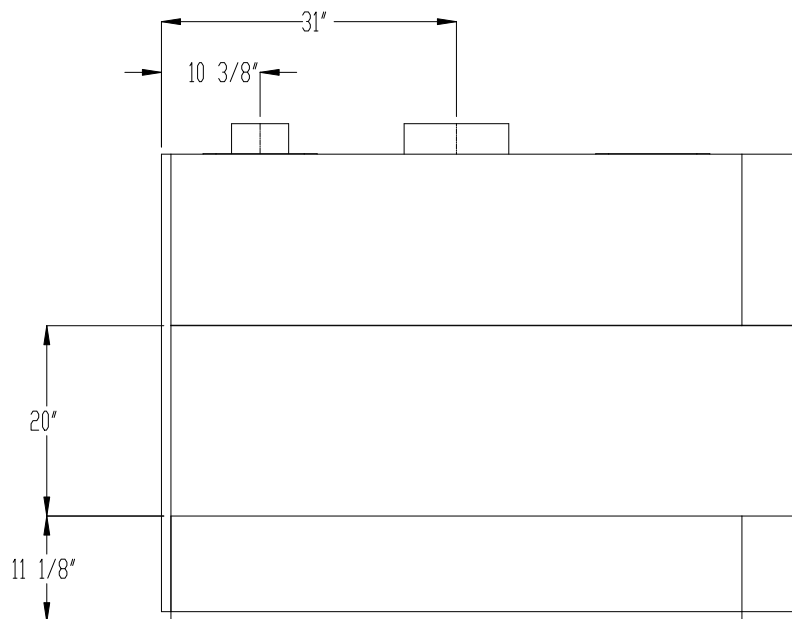
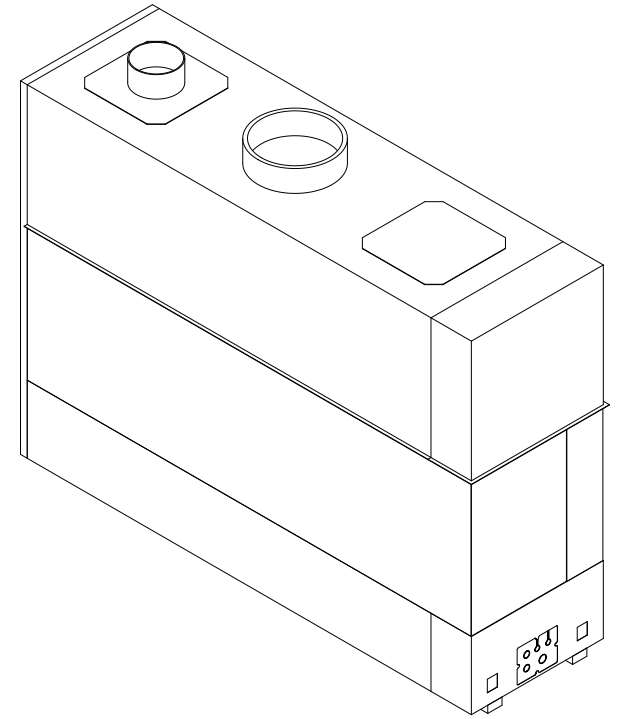
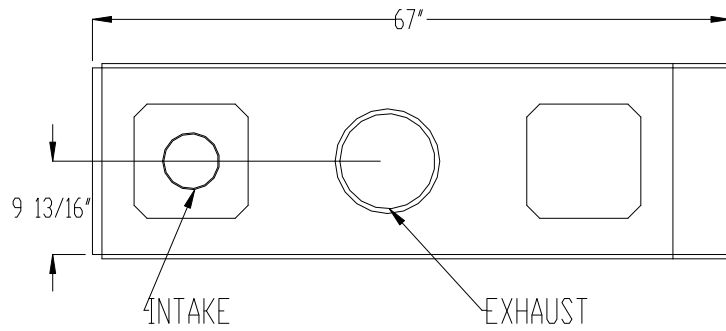
NG - Min = 5.5"wc (1.37kpa), Max = 7"wc (1.74 kpa)
LP - Min = 11"wc (2.74 kpa), Max = 13"wc (3.23 kpa)



DaVinci Custom Fireplace™
STYLE: RIGHT CORNER 66" x 20"

Electrical Req'd - 7A 120V Gas Req'd - 72,500 BTU's

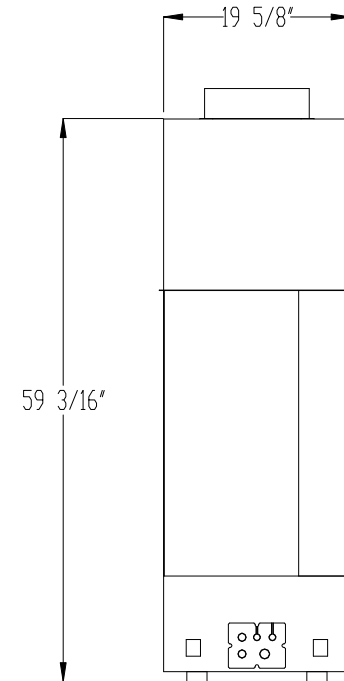
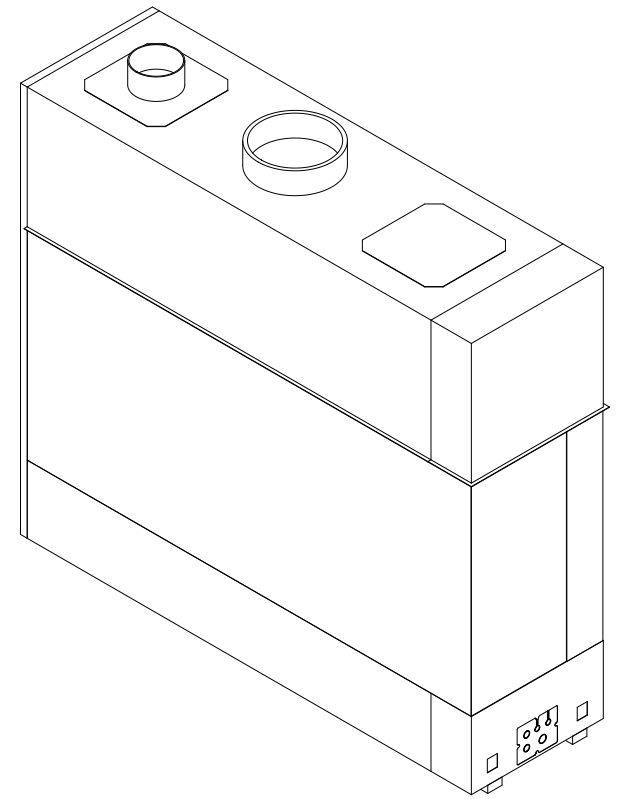
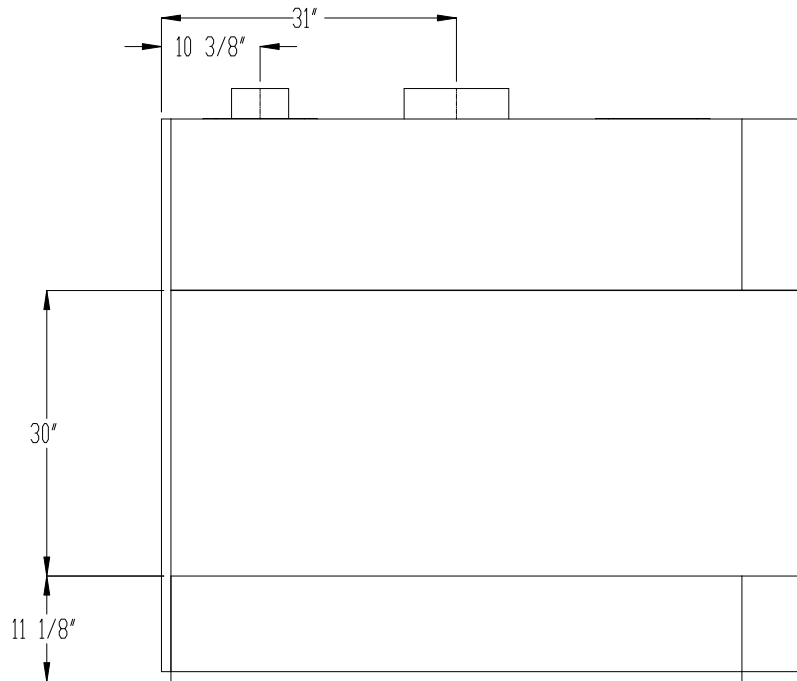
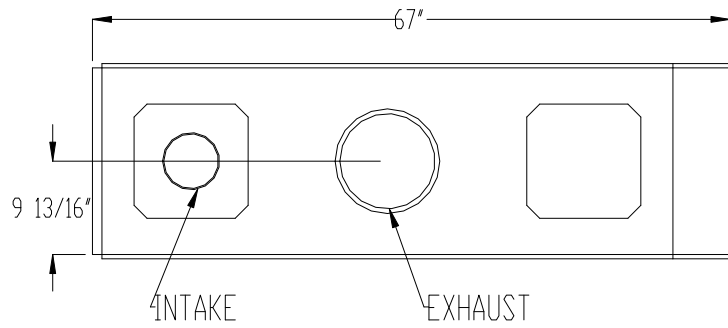
NG - Min = 5.5"wc (1.37kpa), Max = 7"wc (1.74 kpa)
LP - Min = 11"wc (2.74 kpa), Max = 13"wc (3.23 kpa)



DaVinci Custom Fireplace™
STYLE: RIGHT CORNER 66" x 30"

Electrical Req'd - 7A 120V Gas Req'd - 72,500 BTU's

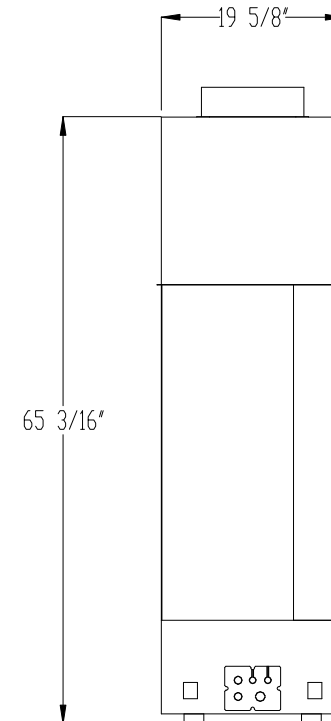
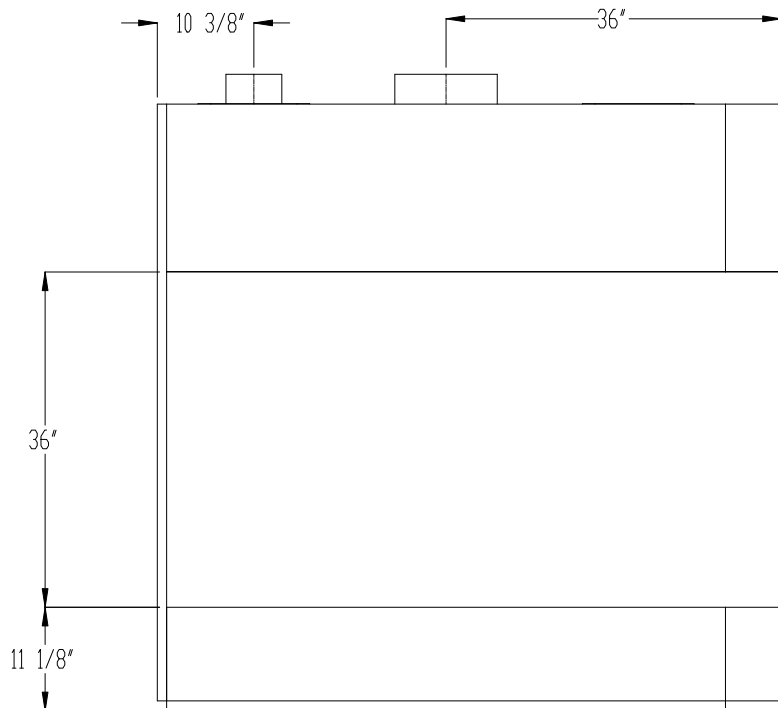
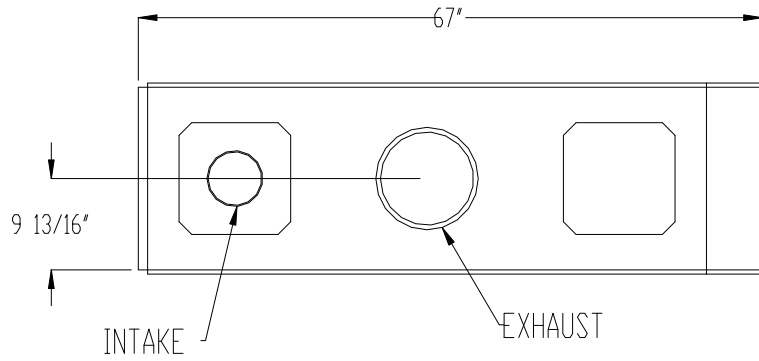
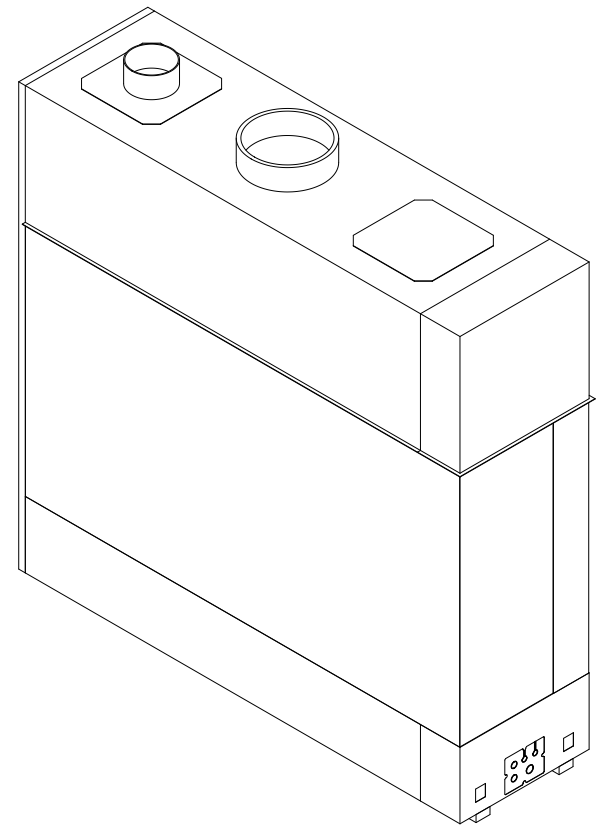
NG - Min = 5.5"wc (1.37kpa), Max = 7"wc (1.74 kpa)
LP - Min = 11"wc (2.74 kpa), Max = 13"wc (3.23 kpa)



DaVinci Custom Fireplace™
STYLE: RIGHT CORNER 66" x 36"

Electrical Req'd - 7A 120V Gas Req'd - 72,500 BTU's

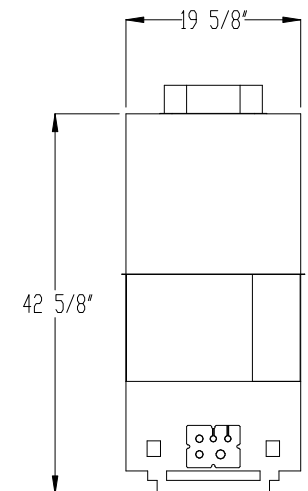
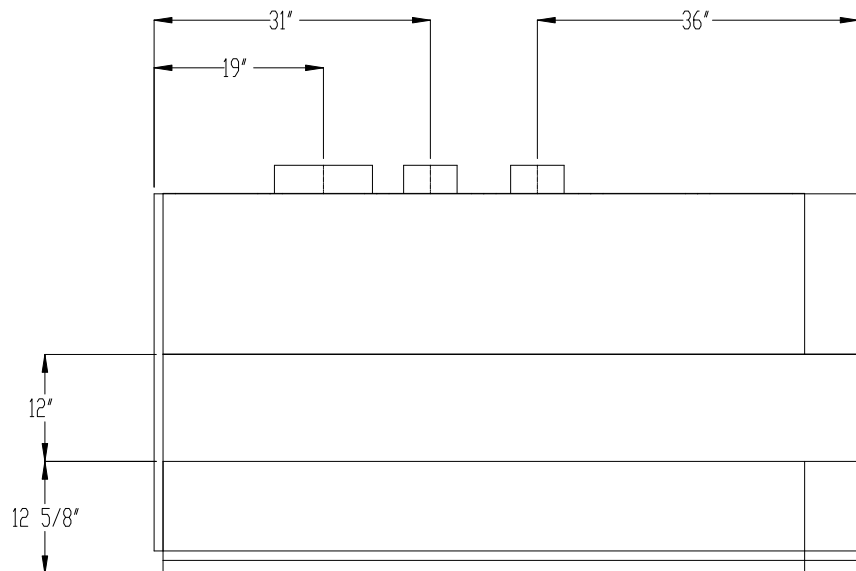
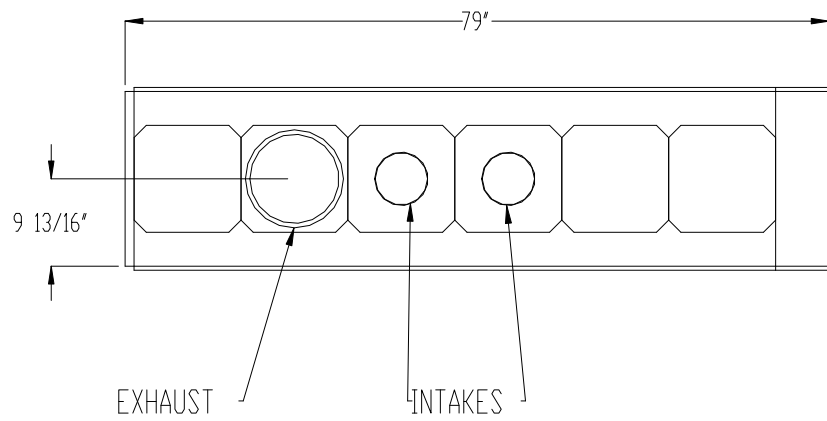
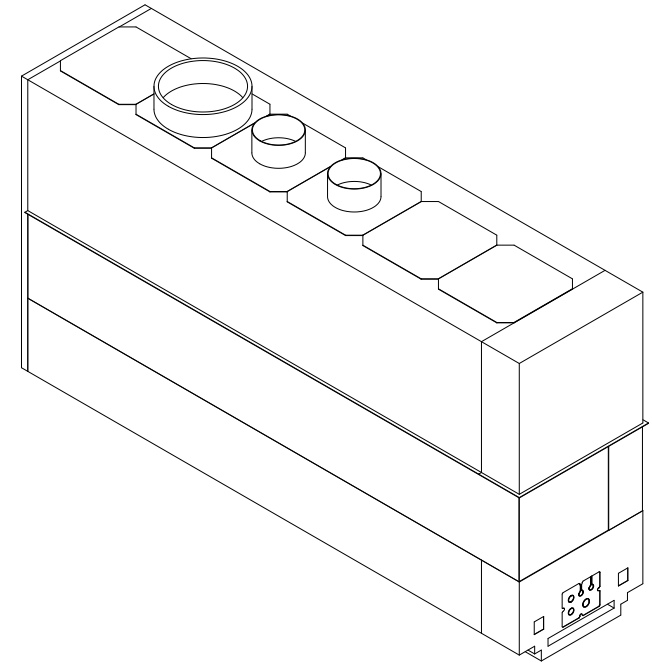
NG - Min = 5.5"wc (1.37kpa), Max = 7"wc (1.74 kpa)
LP - Min = 11"wc (2.74 kpa), Max = 13"wc (3.23 kpa)



DaVinci Custom Fireplace™
STYLE: RIGHT CORNER 78" x 12"

Electrical Req'd - 7A 120V Gas Req'd - 87,000 BTU's

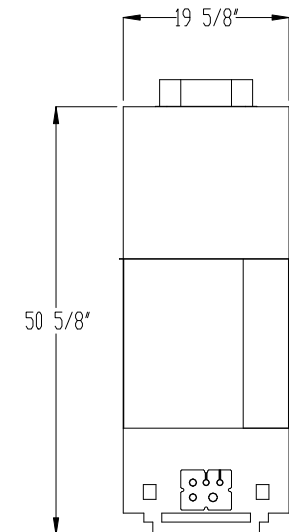
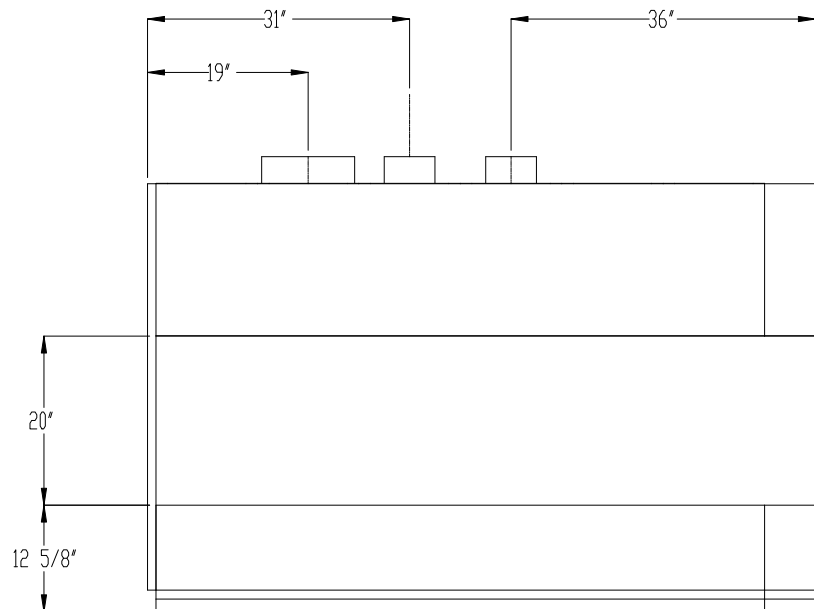
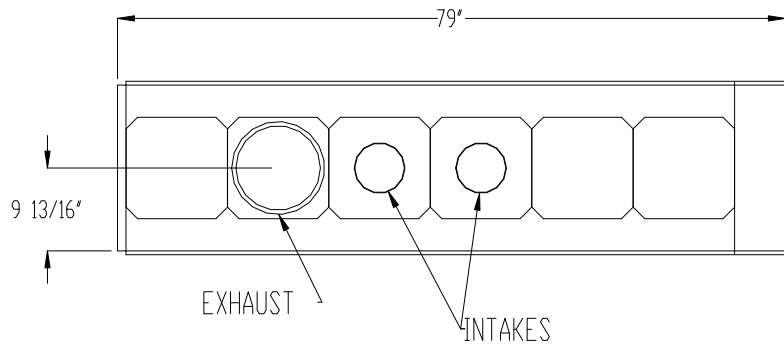
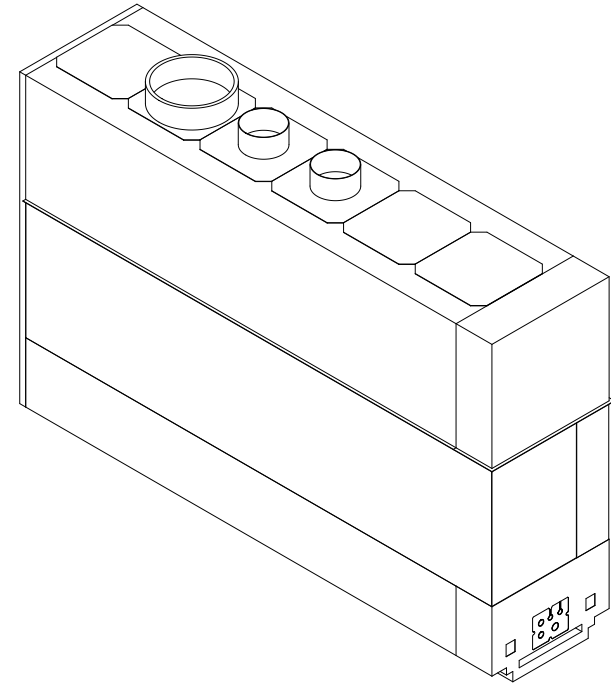
NG - Min = 5.5"wc (1.37kpa), Max = 7"wc (1.74 kpa)
LP - Min = 11"wc (2.74 kpa), Max = 13"wc (3.23 kpa)



DaVinci Custom Fireplace™
STYLE: RIGHT CORNER 78" x 20"

Electrical Req'd - 7A 120V Gas Req'd - 87,000 BTU's

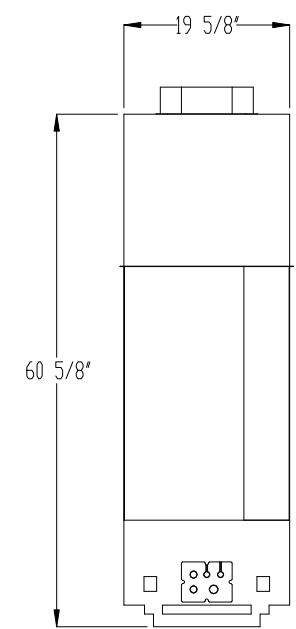
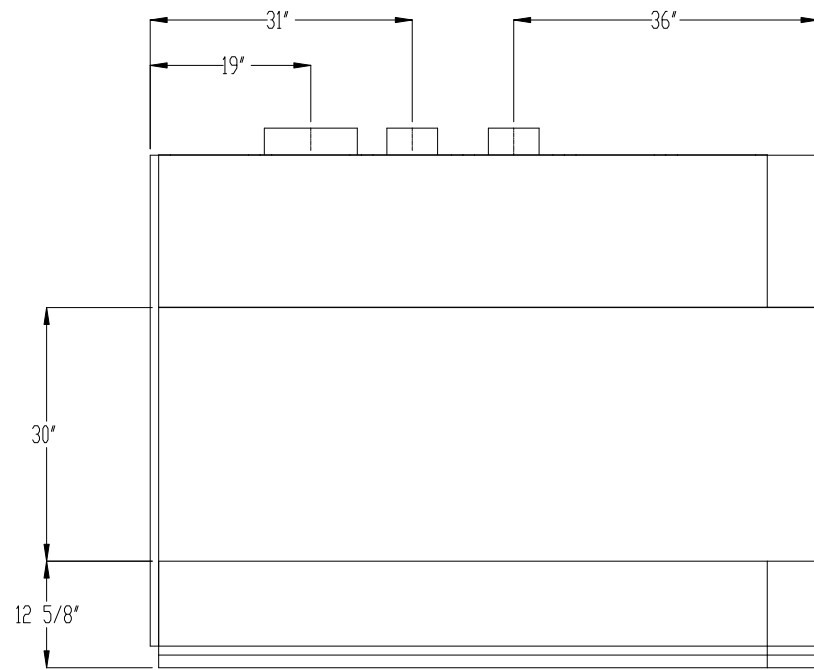
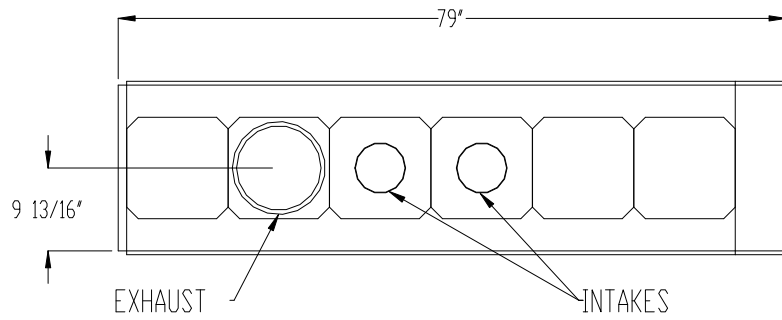
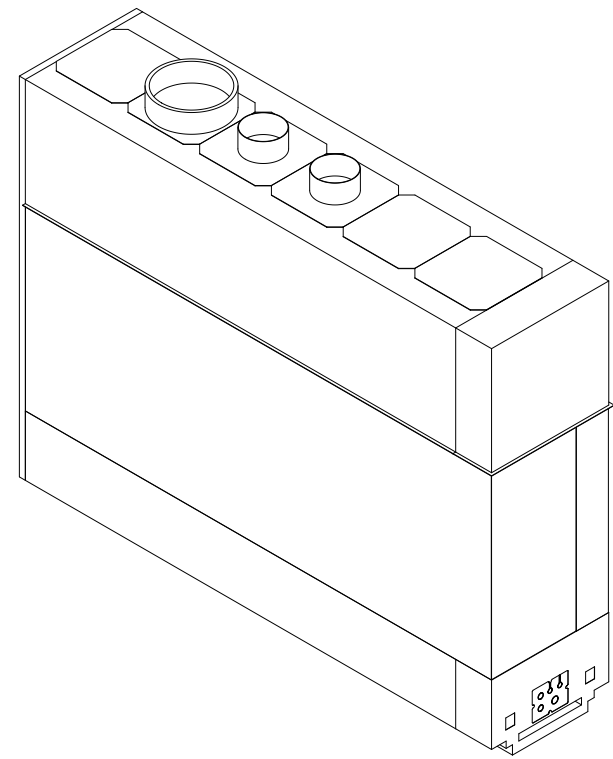
NG - Min = 5.5"wc (1.37kpa), Max = 7"wc (1.74 kpa)
LP - Min = 11"wc (2.74 kpa), Max = 13"wc (3.23 kpa)



DaVinci Custom Fireplace™
STYLE: RIGHT CORNER 78" x 30"

Electrical Req'd - 7A 120V Gas Req'd - 87,000 BTU's

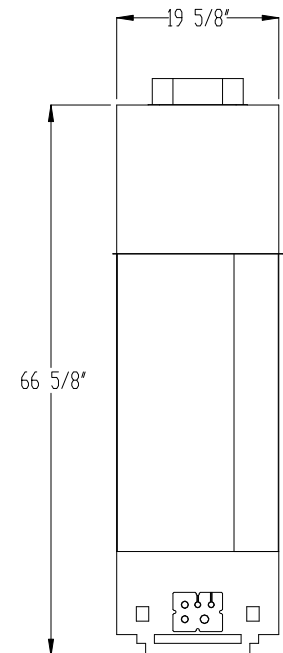
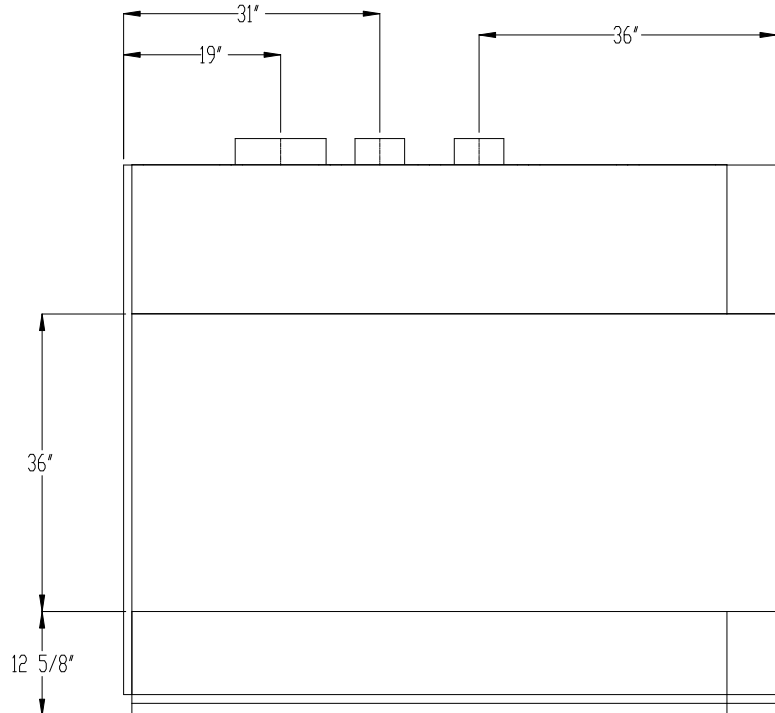
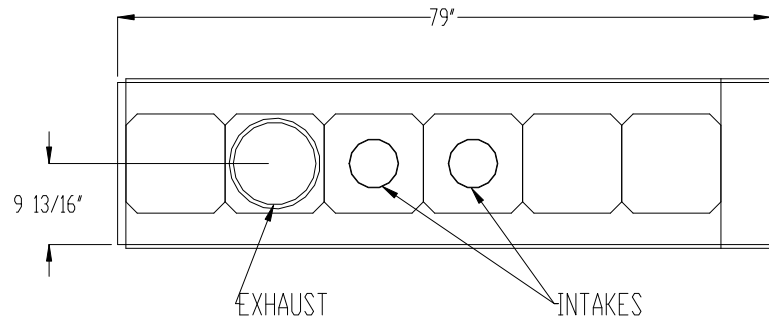
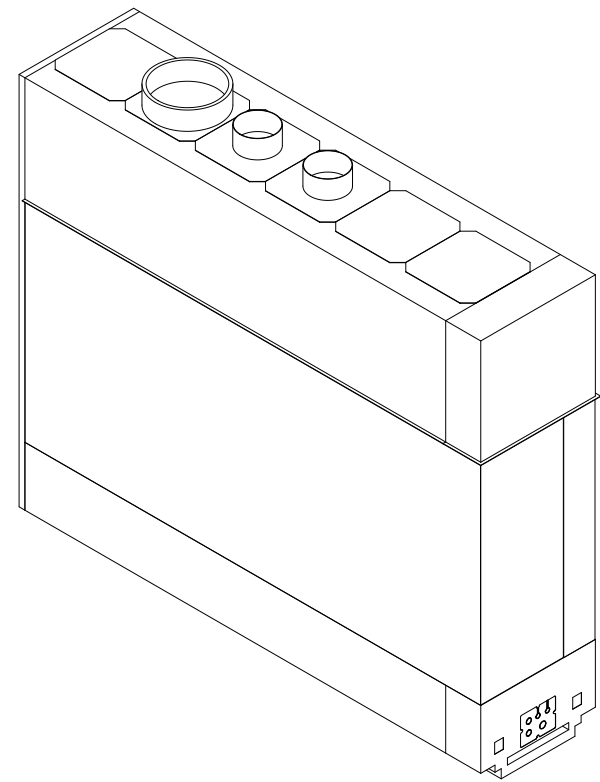
NG - Min = 5.5"wc (1.37kpa), Max = 7"wc (1.74 kpa)
LP - Min = 11"wc (2.74 kpa), Max = 13"wc (3.23 kpa)



DaVinci Custom Fireplace™
STYLE: RIGHT CORNER 78" x 36"

Electrical Req'd - 7A 120V Gas Req'd - 87,000 BTU's

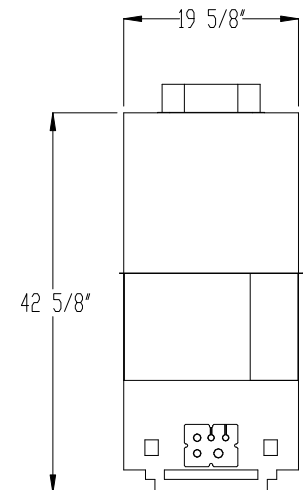
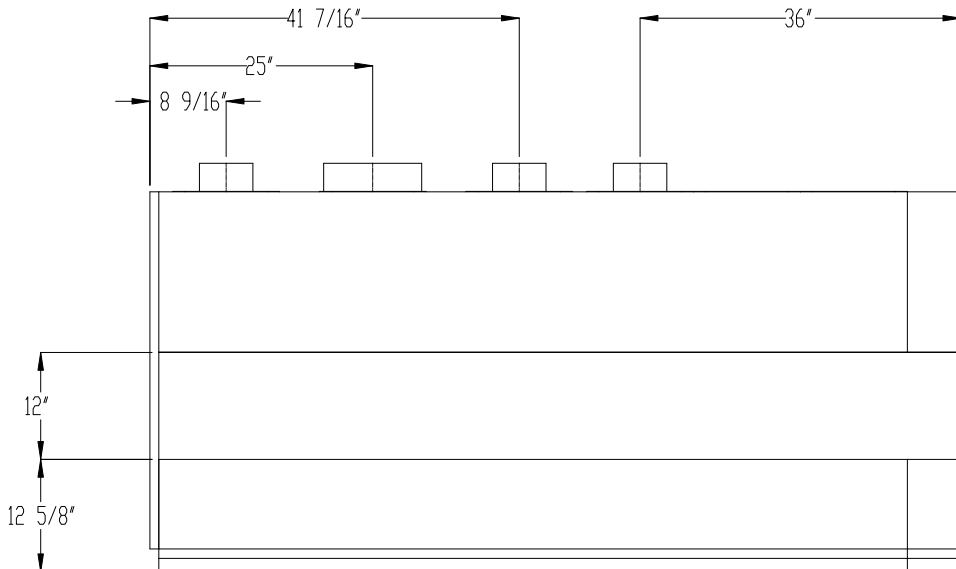
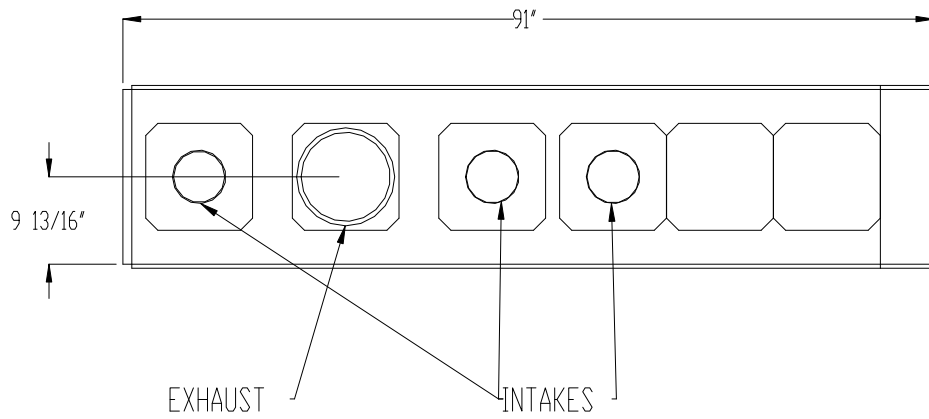
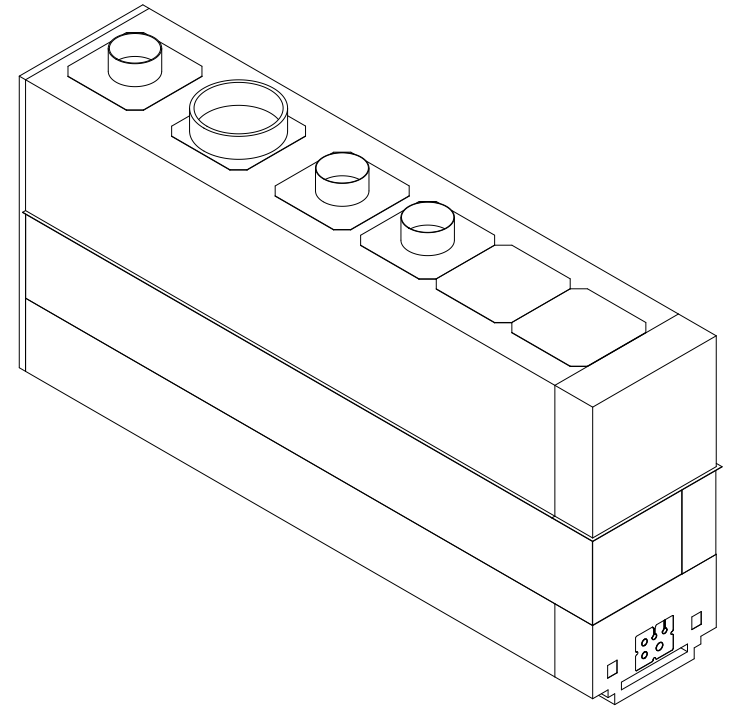
NG - Min = 5.5"wc (1.37kpa), Max = 7"wc (1.74 kpa)
LP - Min = 11"wc (2.74 kpa), Max = 13"wc (3.23 kpa)



DaVinci Custom Fireplace™
STYLE: RIGHT CORNER 90" x 12"

Electrical Req'd - 7A 120V Gas Req'd - 101,500 BTU's

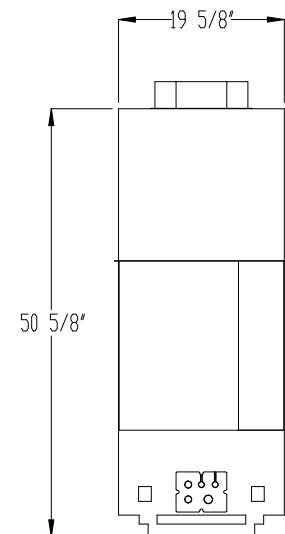
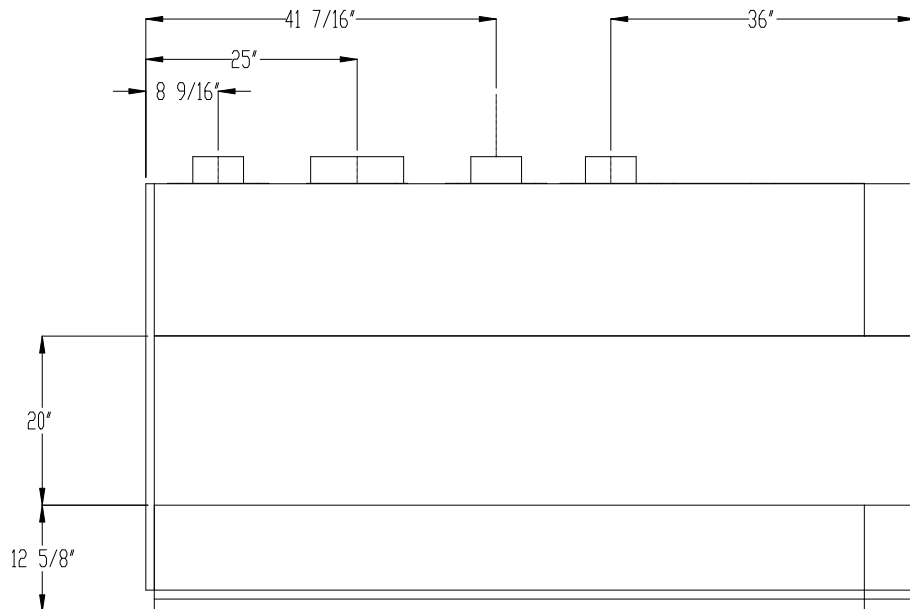
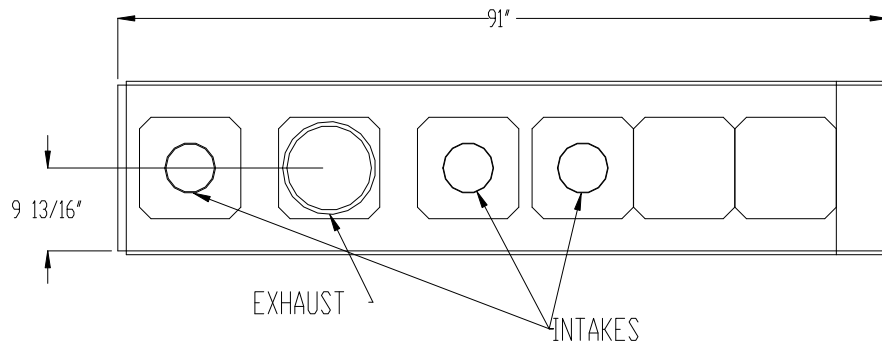
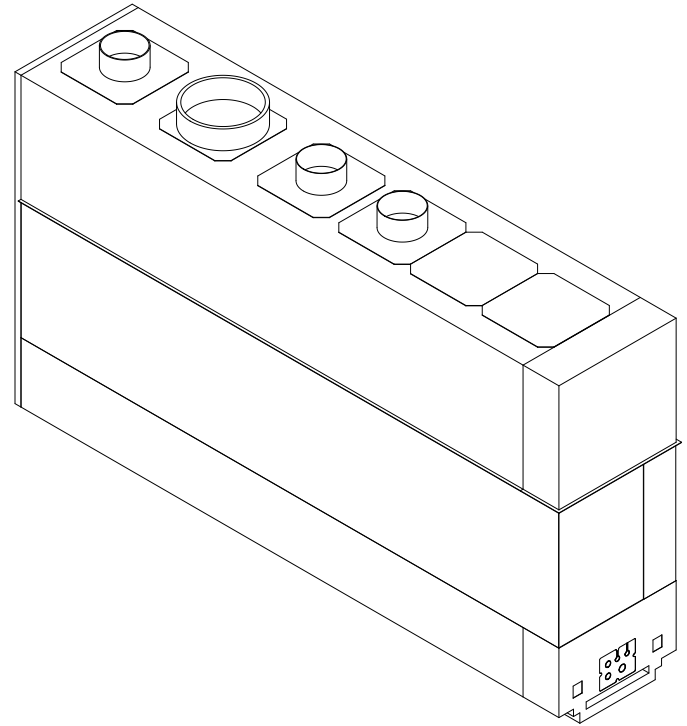
NG - Min = 5.5"wc (1.37kpa), Max = 7"wc (1.74 kpa)
LP - Min = 11"wc (2.74 kpa), Max = 13"wc (3.23 kpa)



DaVinci Custom Fireplace™
STYLE: RIGHT CORNER 90" x 20"

Electrical Req'd - 7A 120V Gas Req'd - 101,500 BTU's

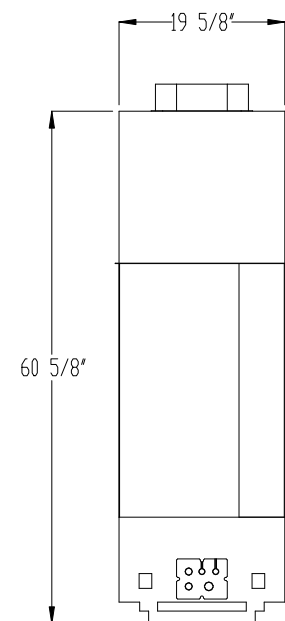
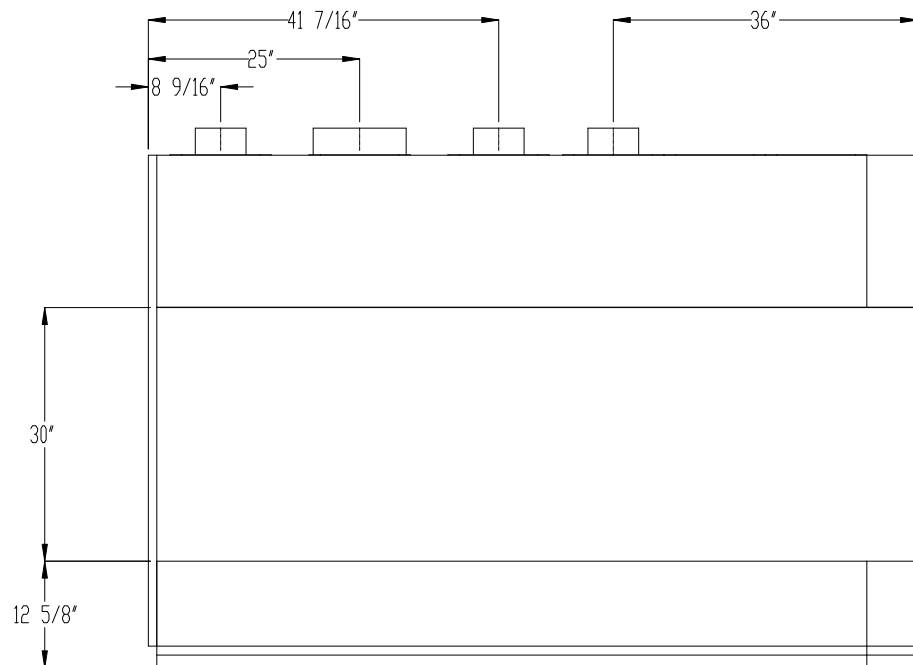
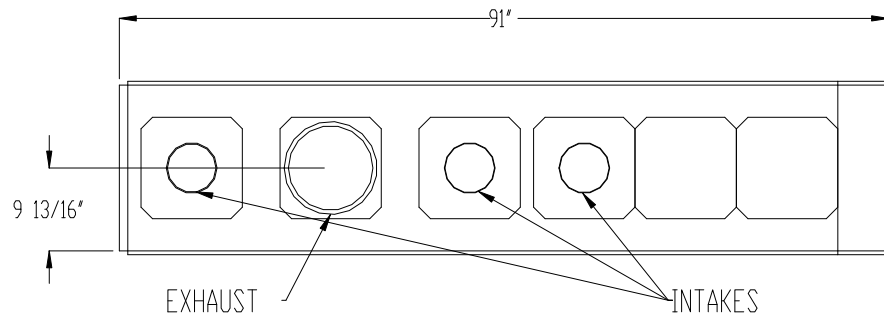
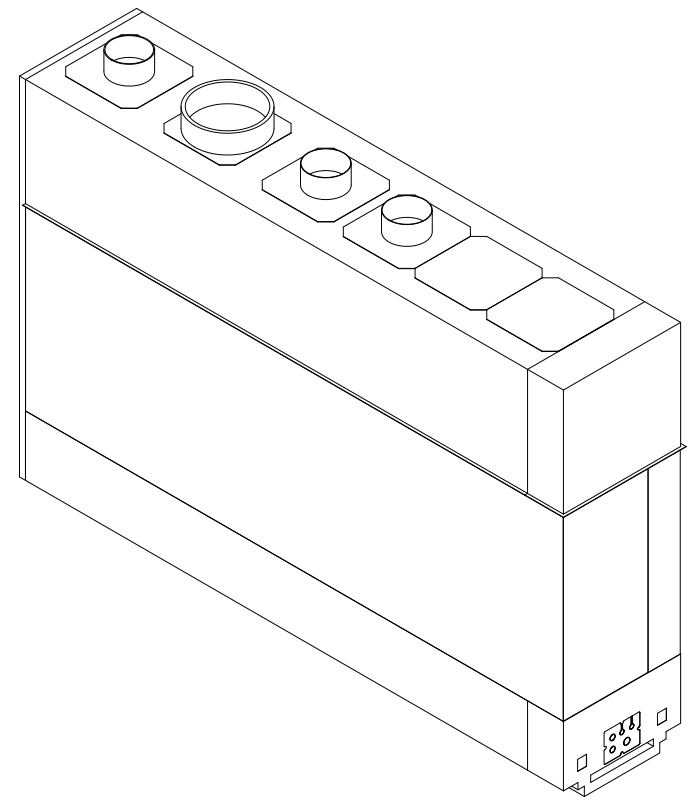
NG - Min = 5.5"wc (1.37kpa), Max = 7"wc (1.74 kpa)
LP - Min = 11"wc (2.74 kpa), Max = 13"wc (3.23 kpa)



DaVinci Custom Fireplace™
STYLE: RIGHT CORNER 90" x 30"

Electrical Req'd - 7A 120V Gas Req'd - 101,500 BTU's

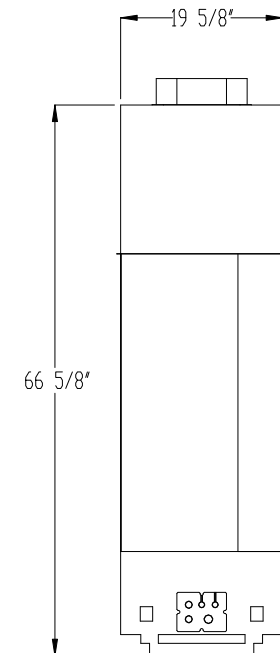
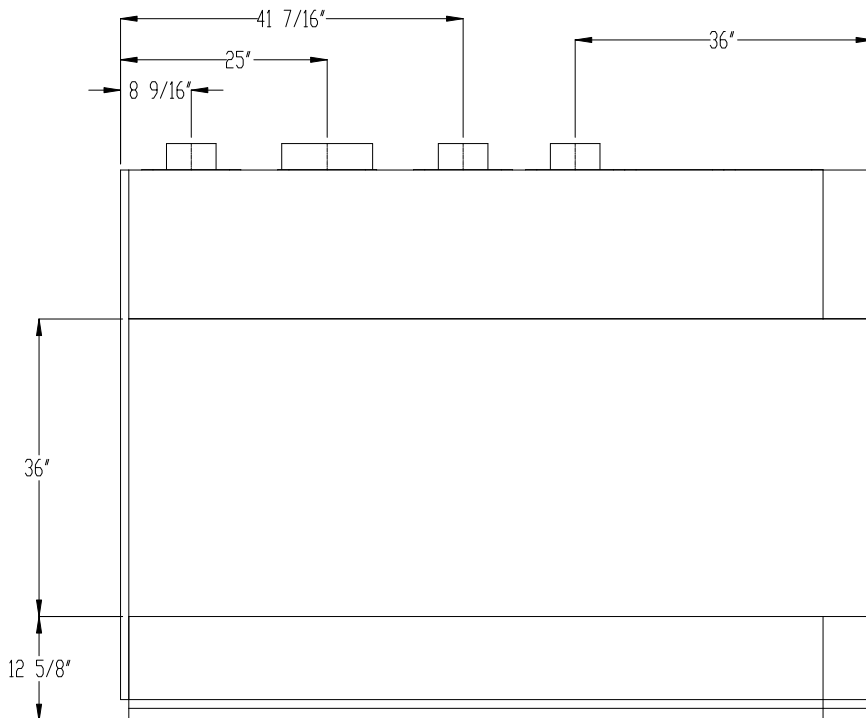
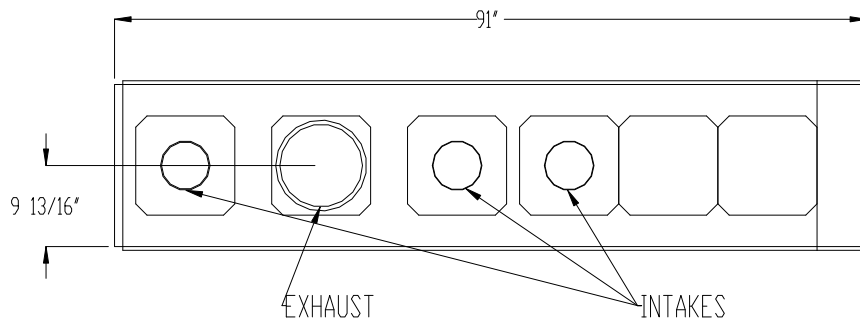
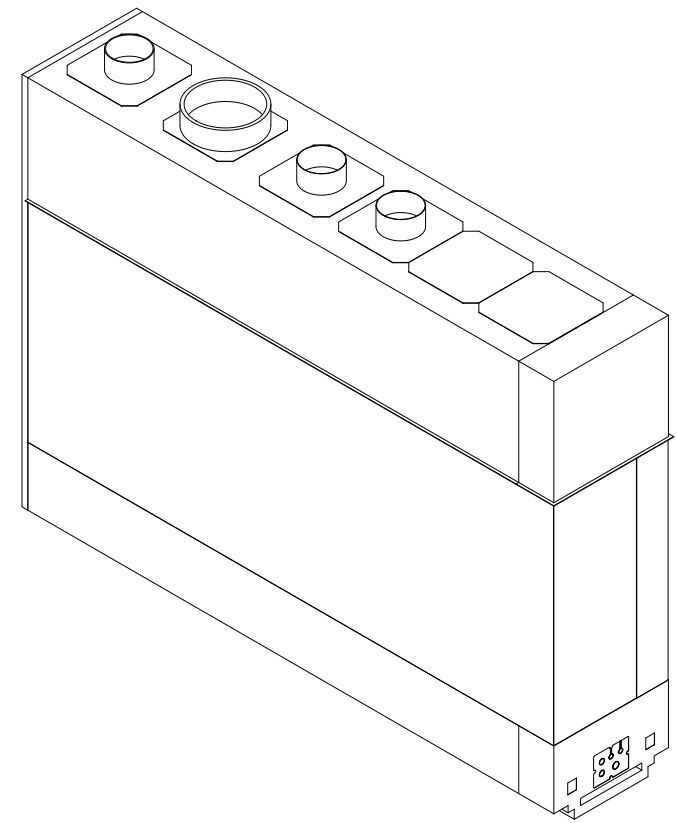
NG - Min = 5.5"wc (1.37kpa), Max = 7"wc (1.74 kpa)
LP - Min = 11"wc (2.74 kpa), Max = 13"wc (3.23 kpa)



DaVinci Custom Fireplace™
STYLE: RIGHT CORNER 90" x 36"

Electrical Req'd - 7A 120V Gas Req'd - 101,500 BTU's

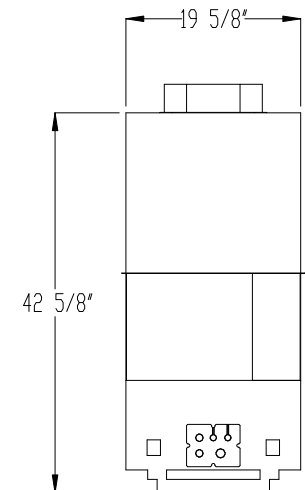
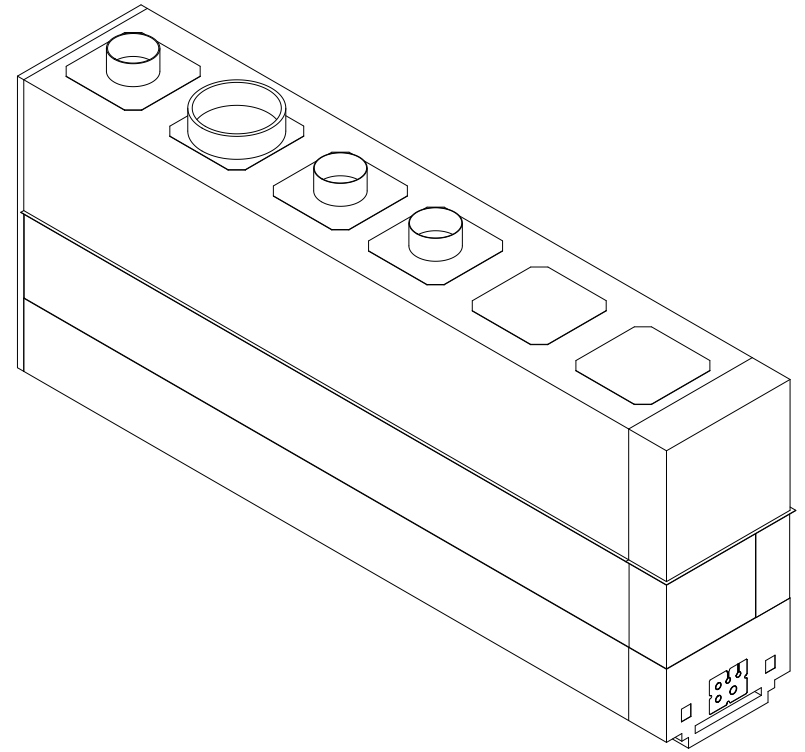
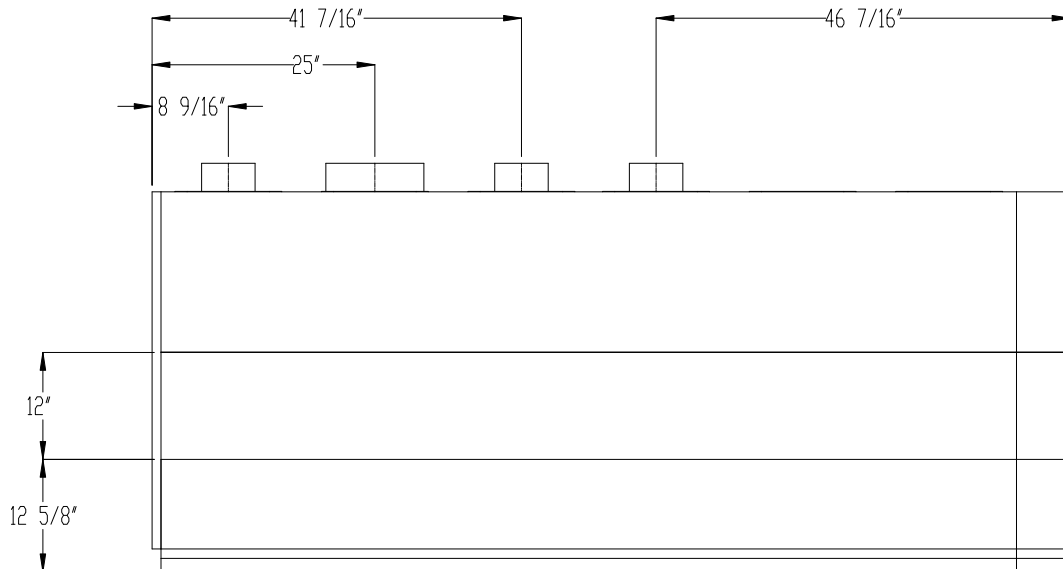
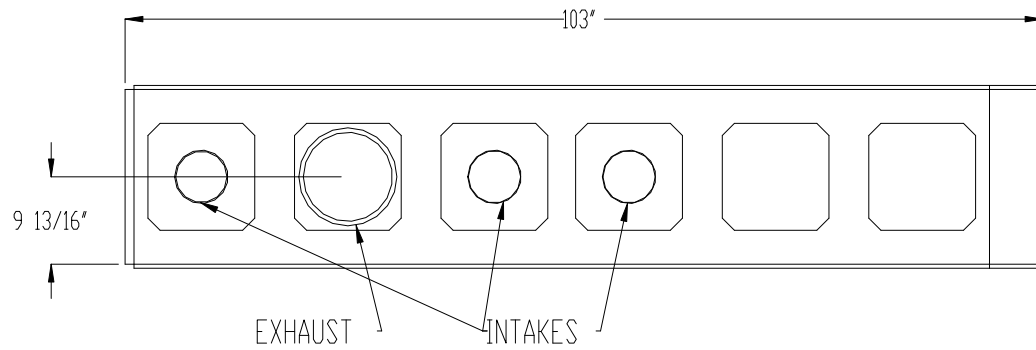
NG - Min = 5.5"wc (1.37kpa), Max = 7"wc (1.74 kpa)
LP - Min = 11"wc (2.74 kpa), Max = 13"wc (3.23 kpa)



DaVinci Custom Fireplace™
STYLE: RIGHT CORNER 102" x 12"

Electrical Req'd - 7A 120V Gas Req'd - 116,000 BTU's

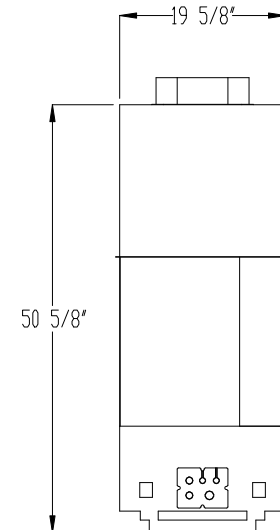
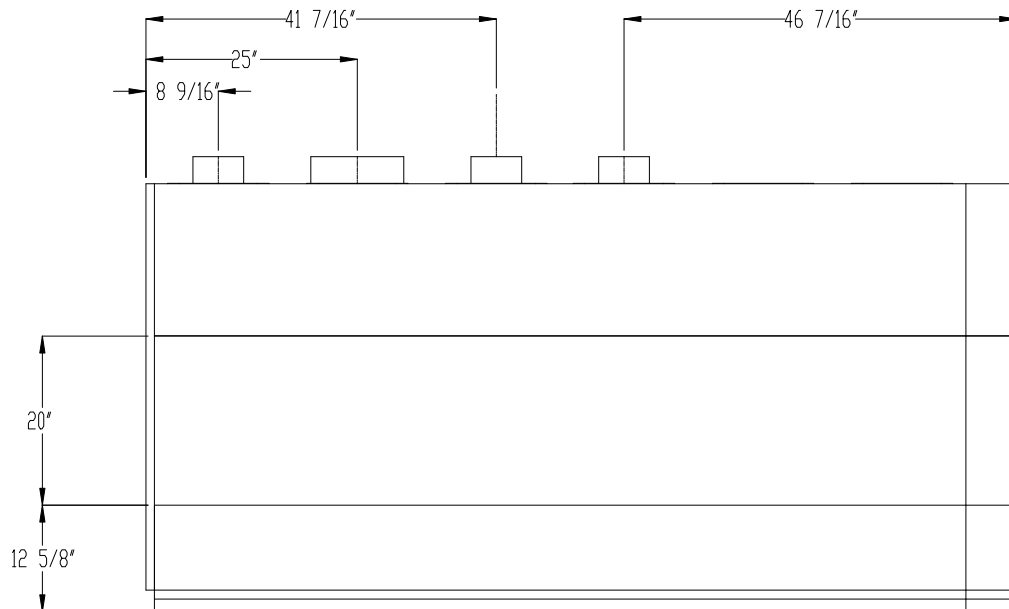
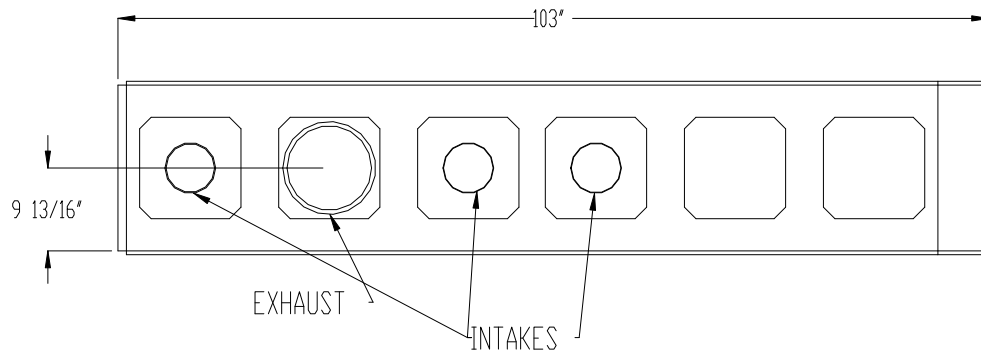
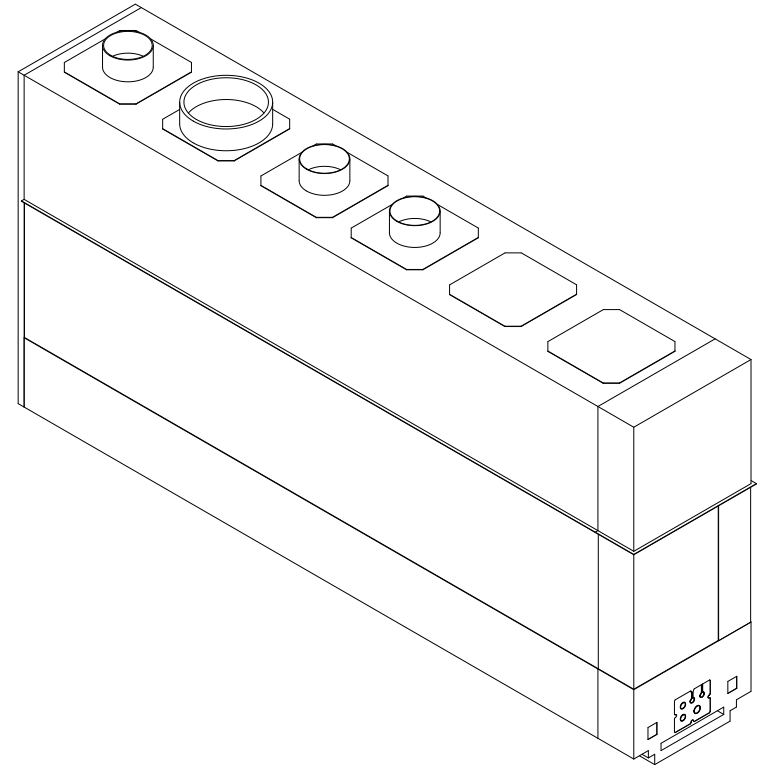
NG - Min = 5.5"wc (1.37kpa), Max = 7"wc (1.74 kpa)
LP - Min = 11"wc (2.74 kpa), Max = 13"wc (3.23 kpa)



DaVinci Custom Fireplace™
STYLE: RIGHT CORNER 102" x 20"

Electrical Req'd - 7A 120V Gas Req'd - 116,000 BTU's

NG - Min = 5.5"wc (1.37kpa), Max = 7"wc (1.74 kpa)
LP - Min = 11"wc (2.74 kpa), Max = 13"wc (3.23 kpa)

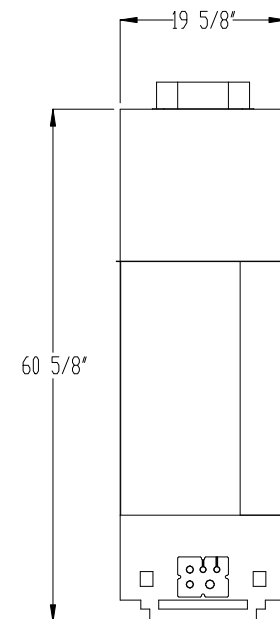
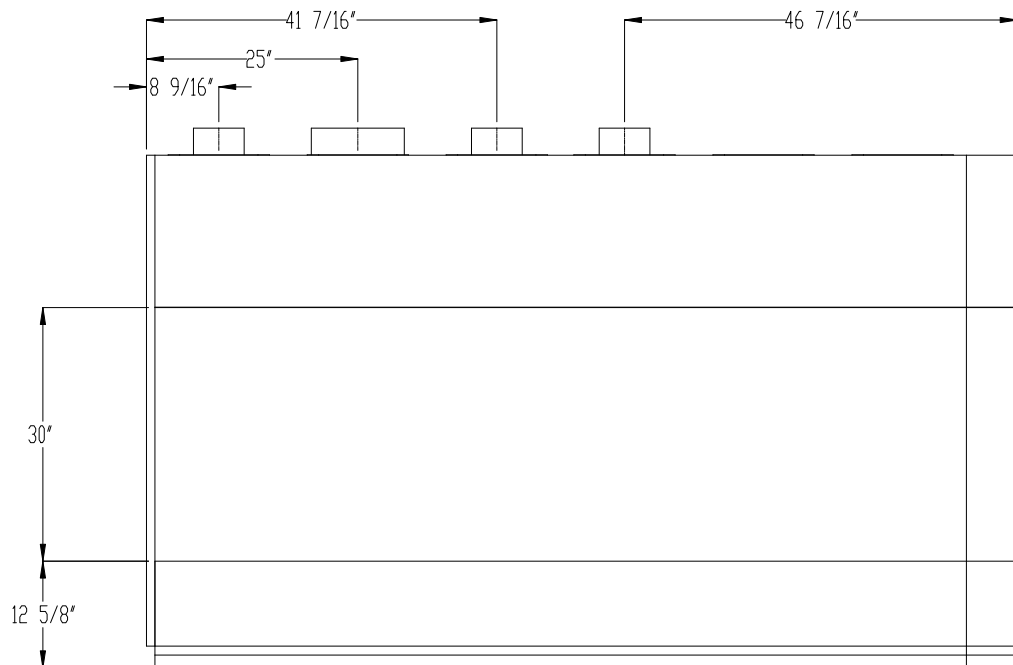
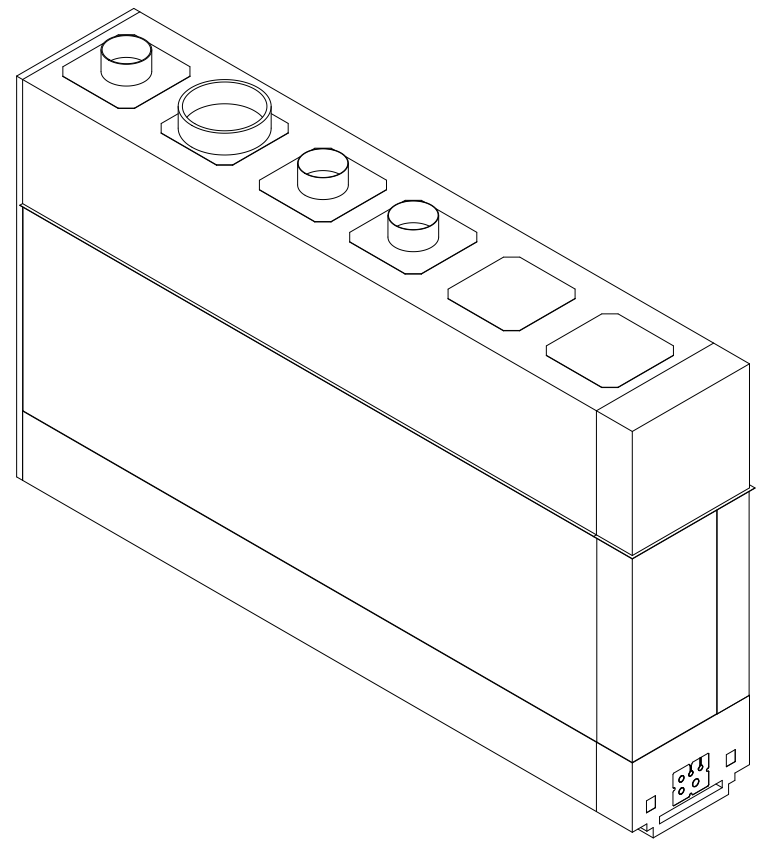
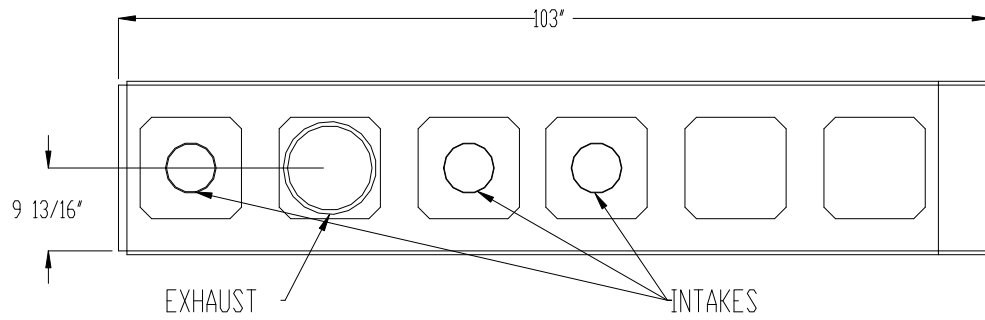


DaVinci Custom Fireplace™
STYLE: RIGHT CORNER 102" x 30"

Electrical Req'd - 7A 120V Gas Req'd - 116,000 BTU's

NG - Min = 5.5"wc (1.37kpa), Max = 7"wc (1.74 kpa)

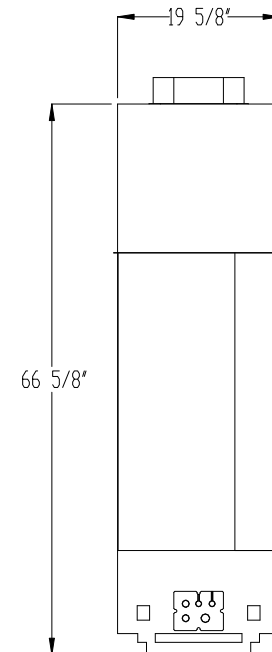
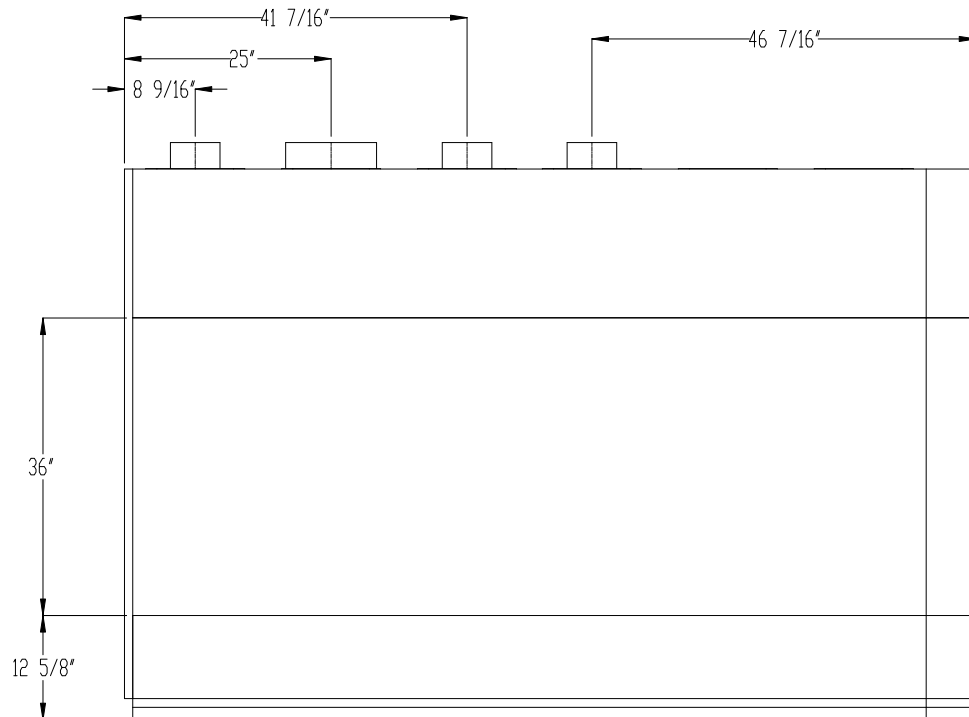
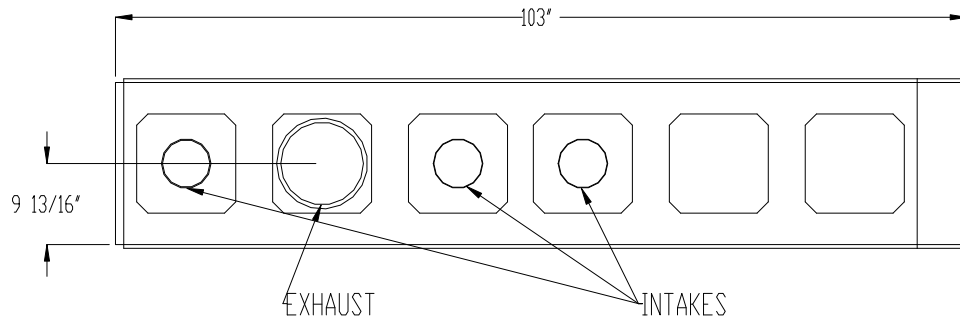
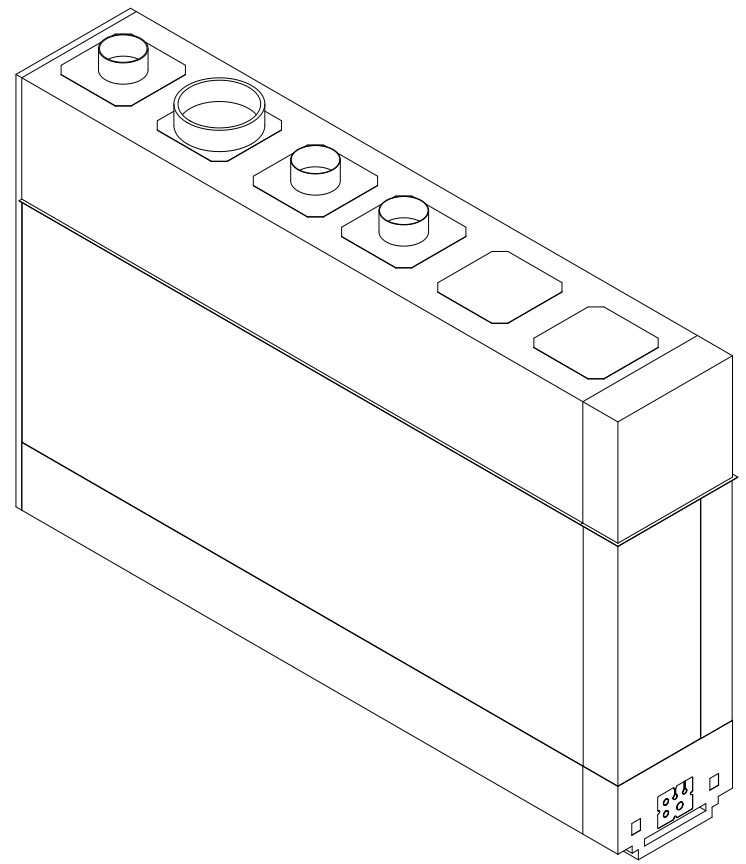
LP - Min = 11"wc (2.74 kpa), Max = 13"wc (3.23 kpa)



DaVinci Custom Fireplace™
STYLE: RIGHT CORNER 102" x 36"

Electrical Req'd - 7A 120V Gas Req'd - 116,000 BTU's

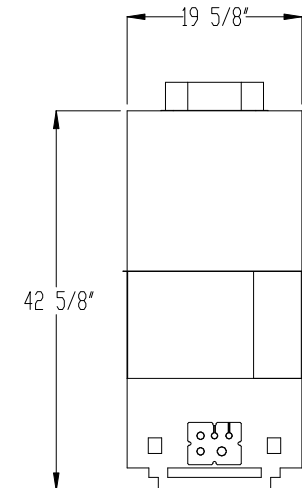
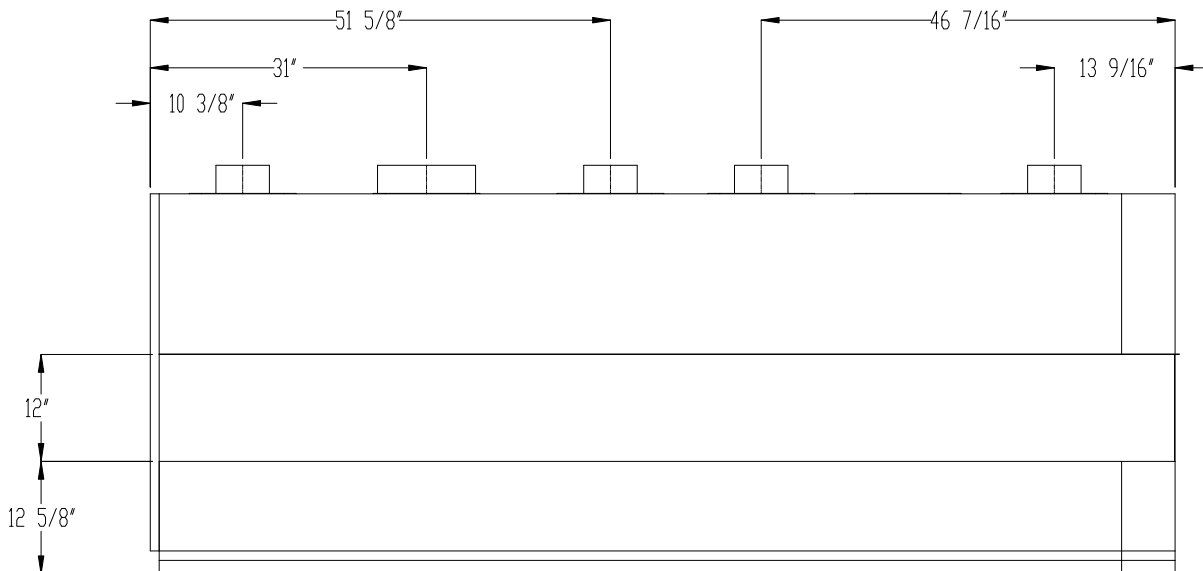
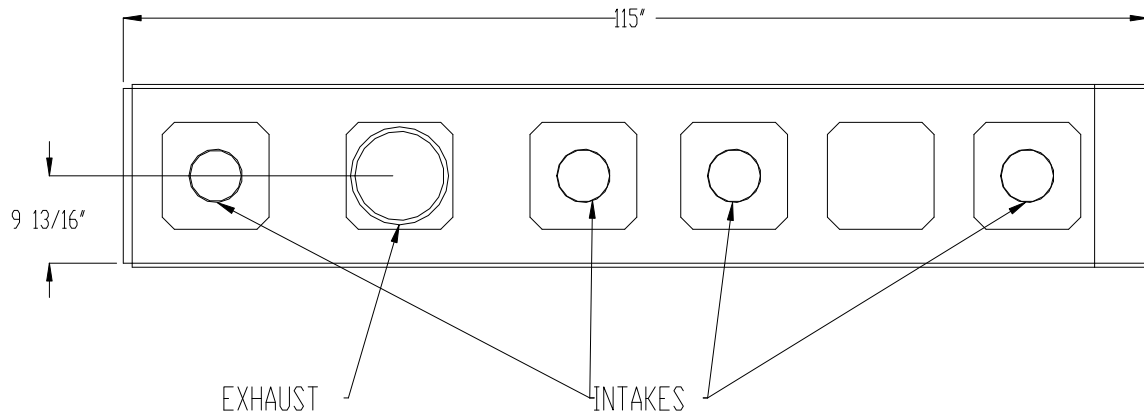
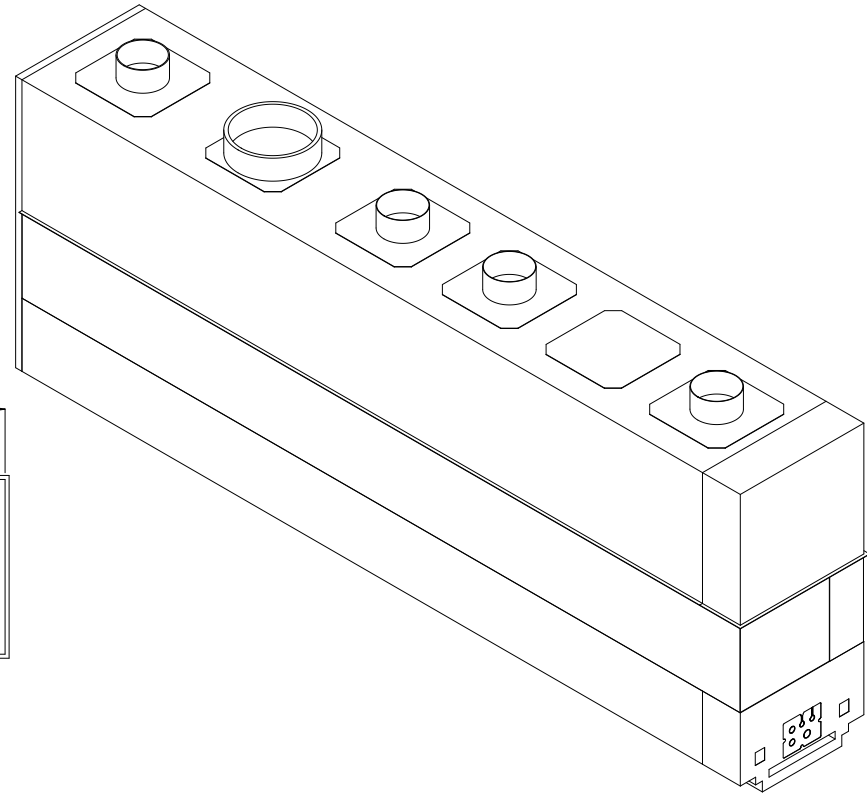
NG - Min = 5.5"wc (1.37kpa), Max = 7"wc (1.74 kpa)
LP - Min = 11"wc (2.74 kpa), Max = 13"wc (3.23 kpa)



DaVinci Custom Fireplace™
STYLE: RIGHT CORNER 114" x 12"

Electrical Req'd - 7A 120V Gas Req'd - 130,500 BTU's

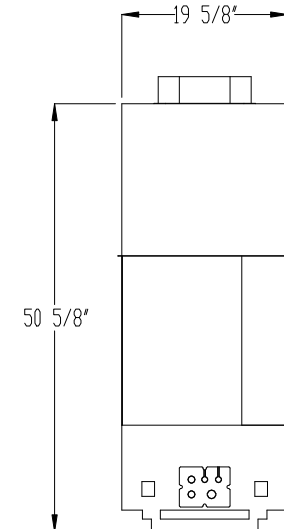
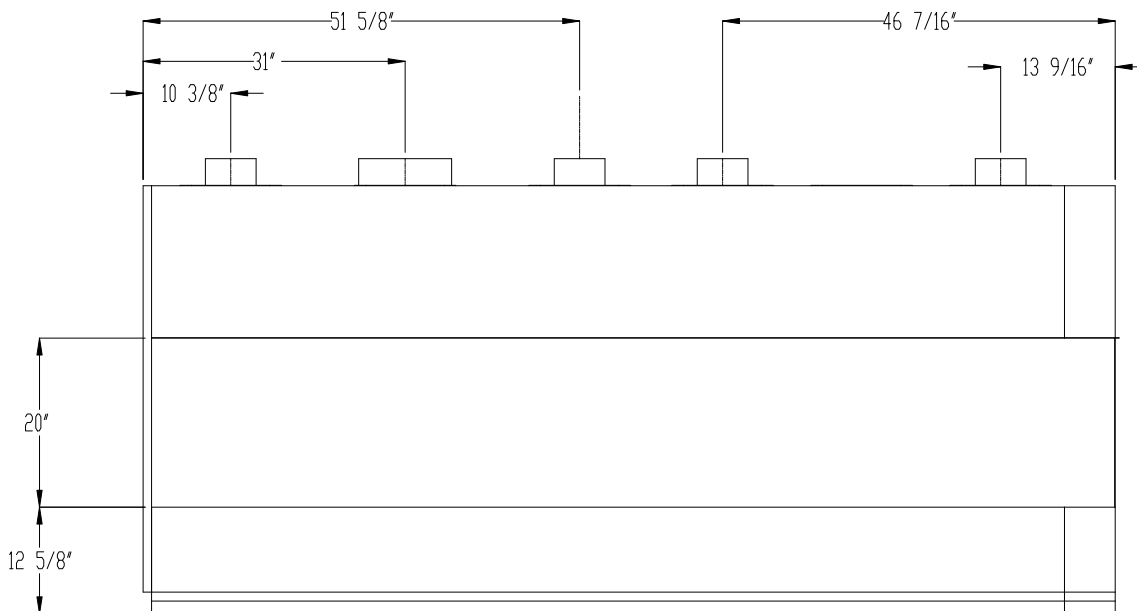
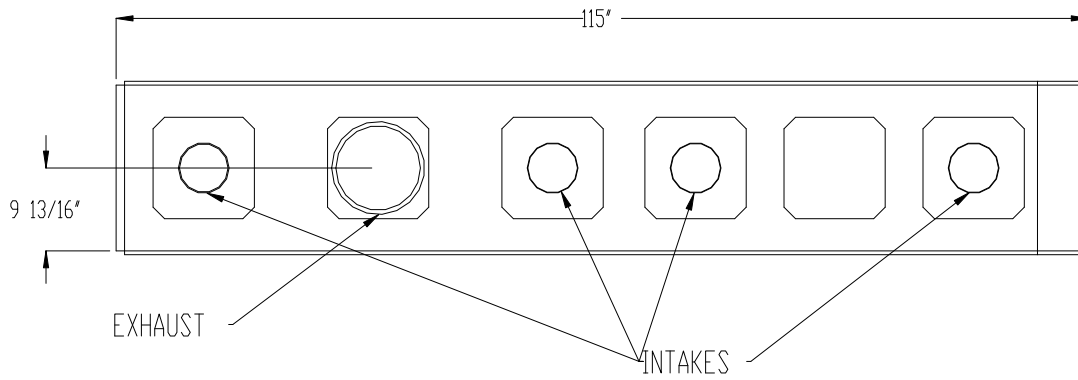
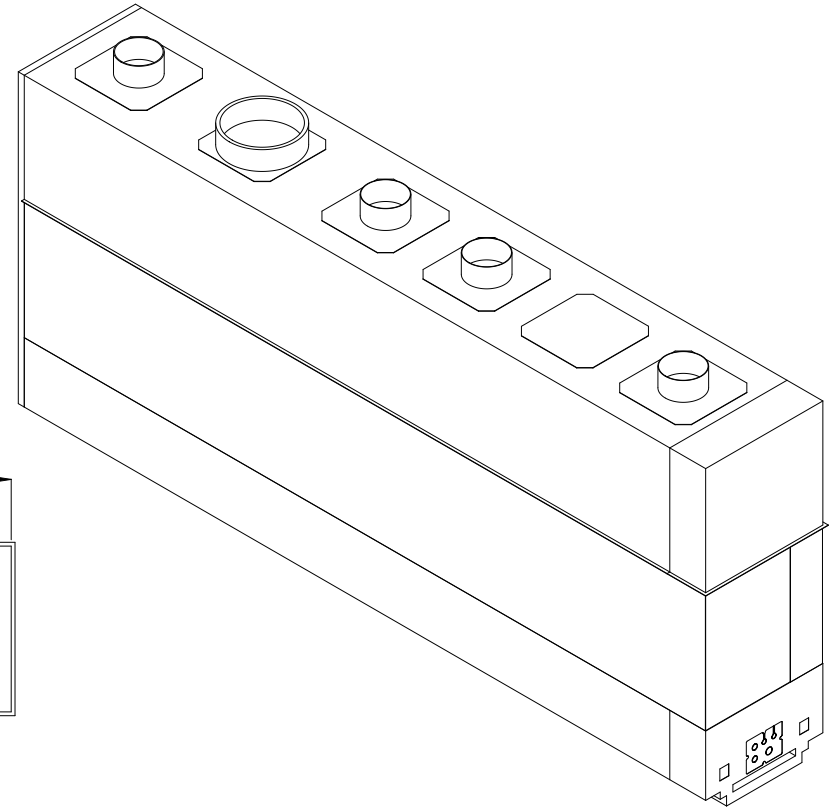
NG - Min = 5.5"wc (1.37kpa), Max = 7"wc (1.74 kpa)
LP - Min = 11"wc (2.74 kpa), Max = 13"wc (3.23 kpa)



DaVinci Custom Fireplace™
STYLE: RIGHT CORNER 114" x 20"

Electrical Req'd - 7A 120V Gas Req'd - 130,500 BTU's

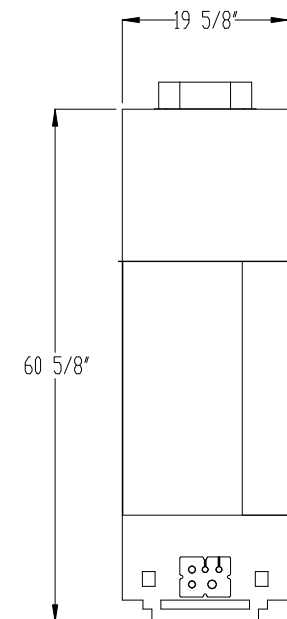
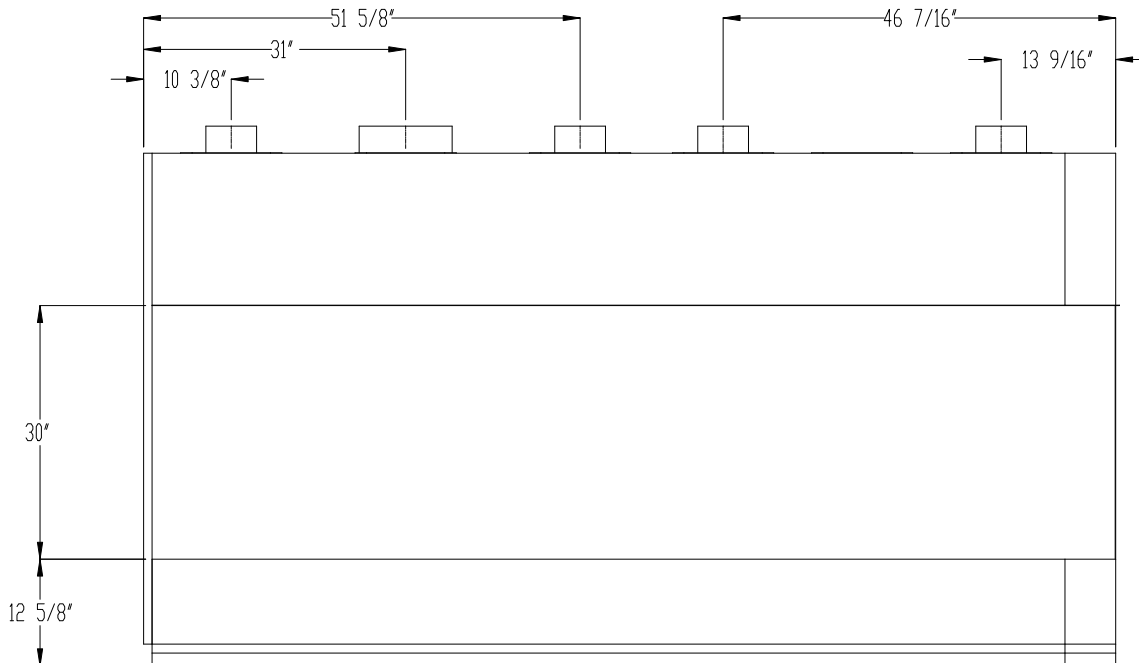
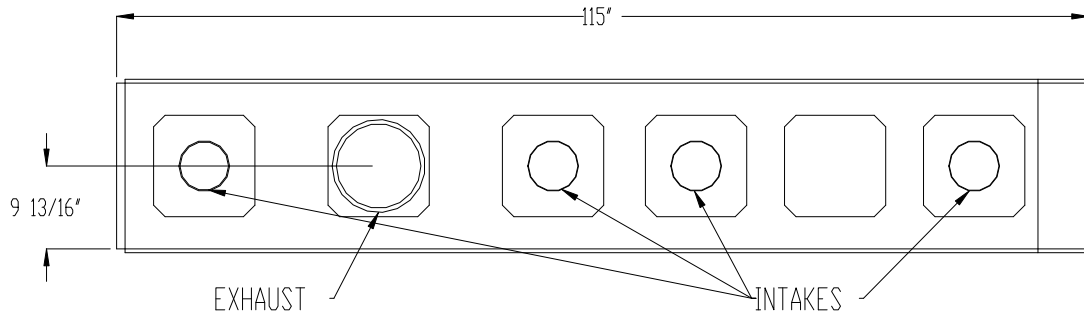
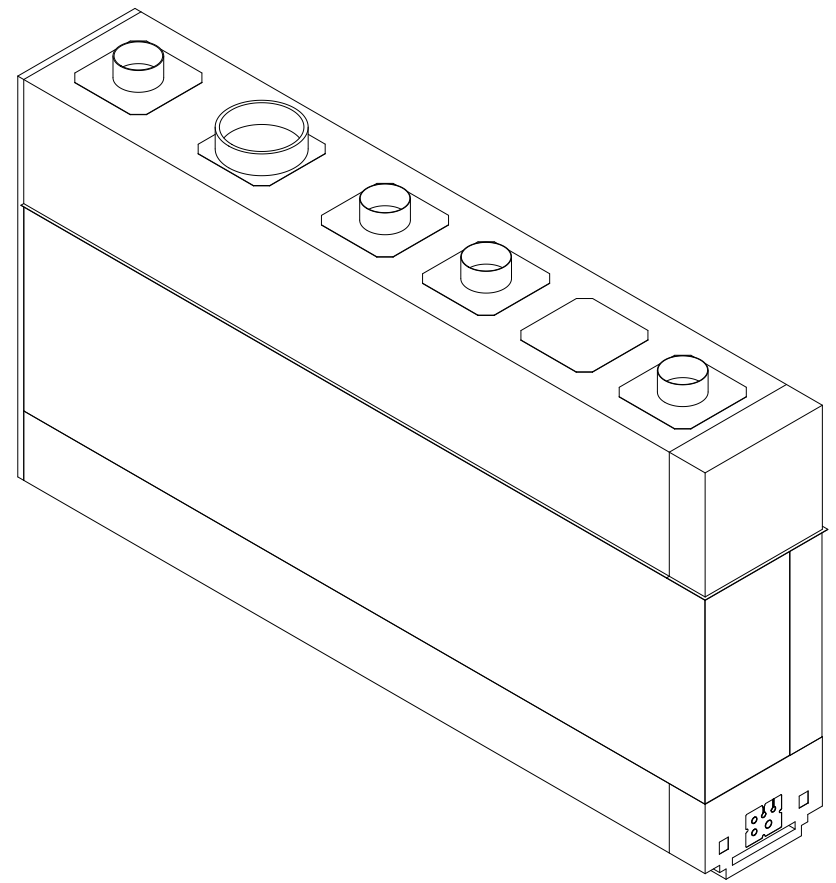
NG - Min = 5.5"wc (1.37kpa), Max = 7"wc (1.74 kpa)
LP - Min = 11"wc (2.74 kpa), Max = 13"wc (3.23 kpa)



DaVinci Custom Fireplace™
STYLE: RIGHT CORNER 114" x 30"

Electrical Req'd - 7A 120V Gas Req'd - 130,500 BTU's

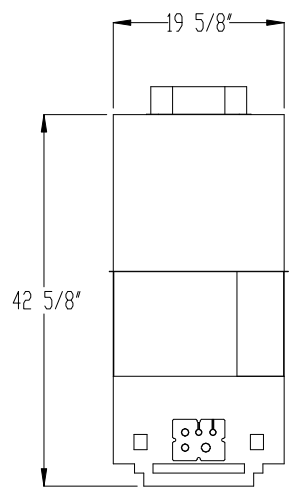
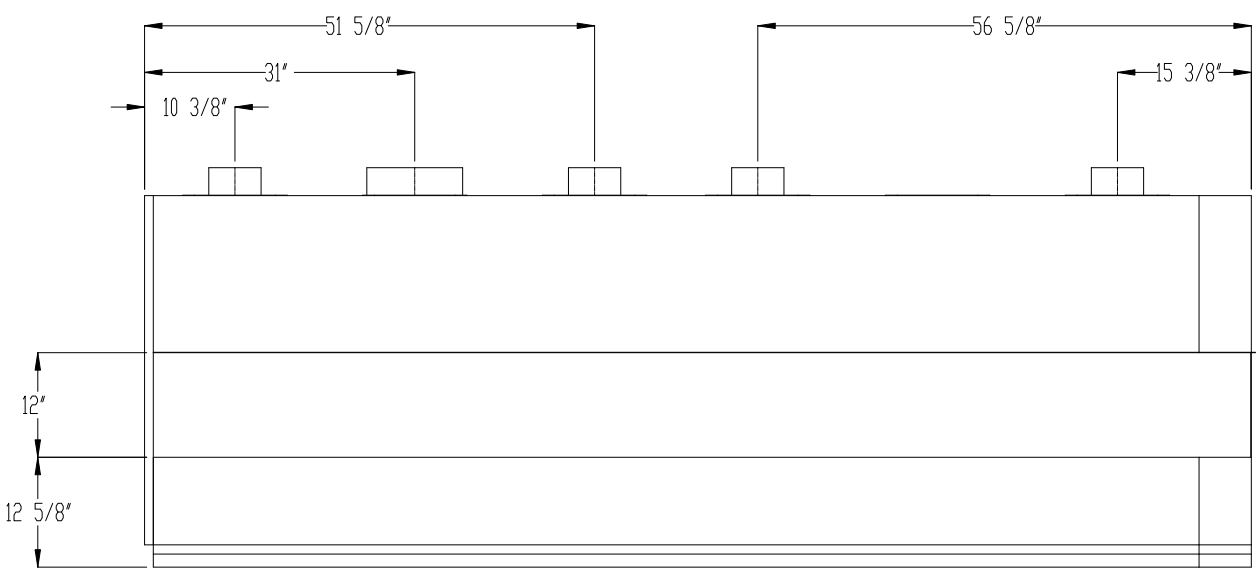
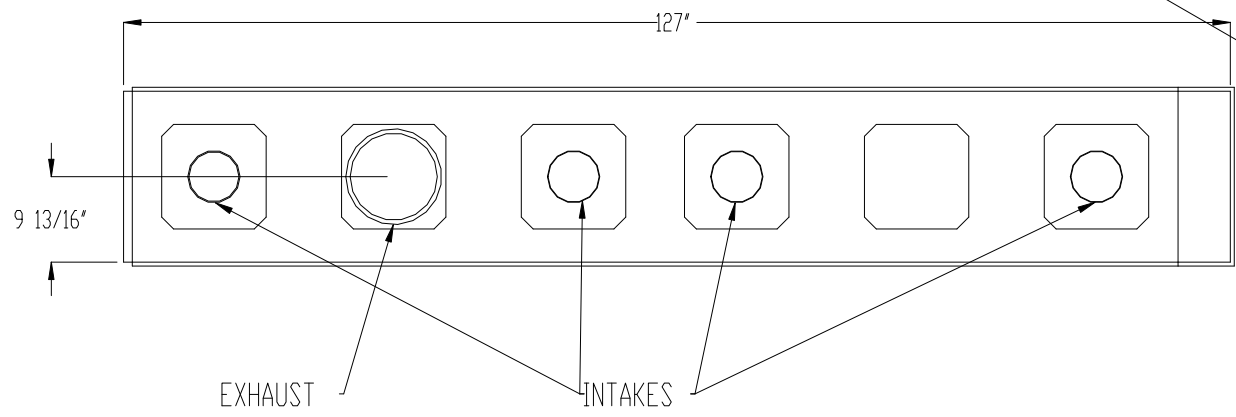
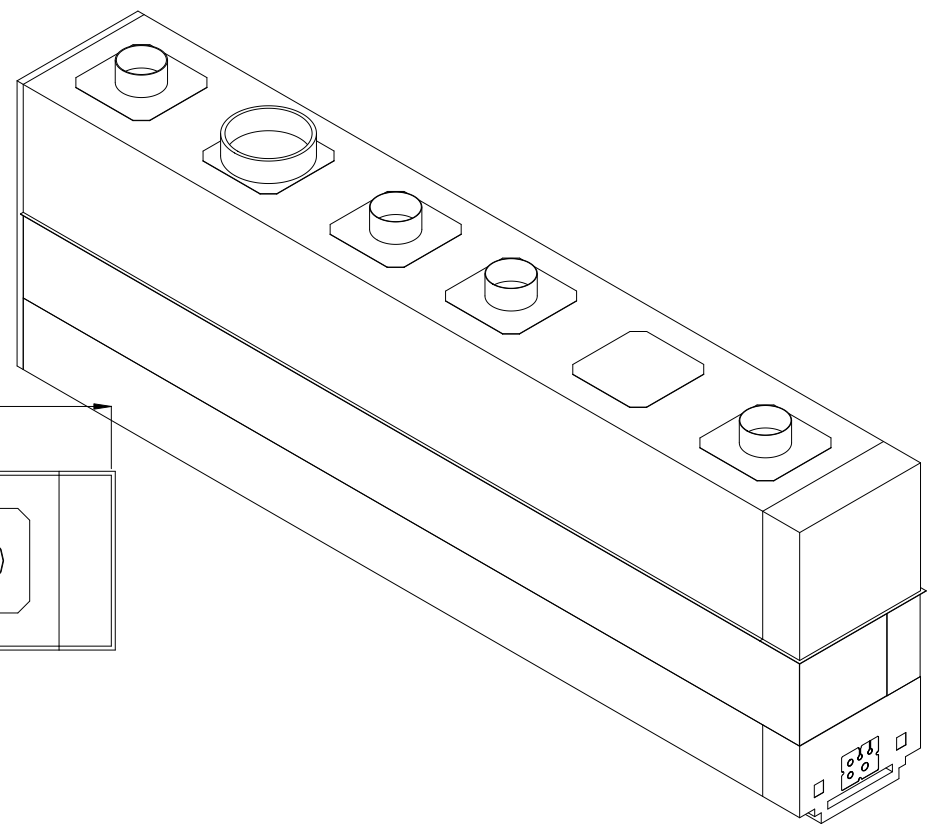
NG - Min = 5.5"wc (1.37kpa), Max = 7"wc (1.74 kpa)
LP - Min = 11"wc (2.74 kpa), Max = 13"wc (3.23 kpa)



DaVinci Custom Fireplace™
 STYLE: RIGHT CORNER 126" x 12"

Electrical Req'd - 7A 120V Gas Req'd - 145,000 BTU's

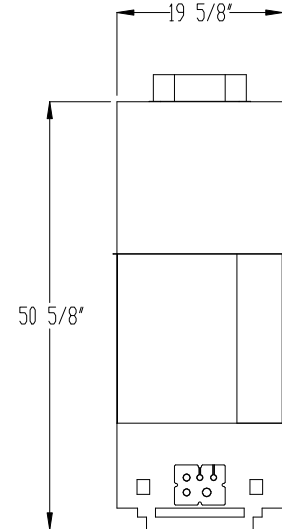
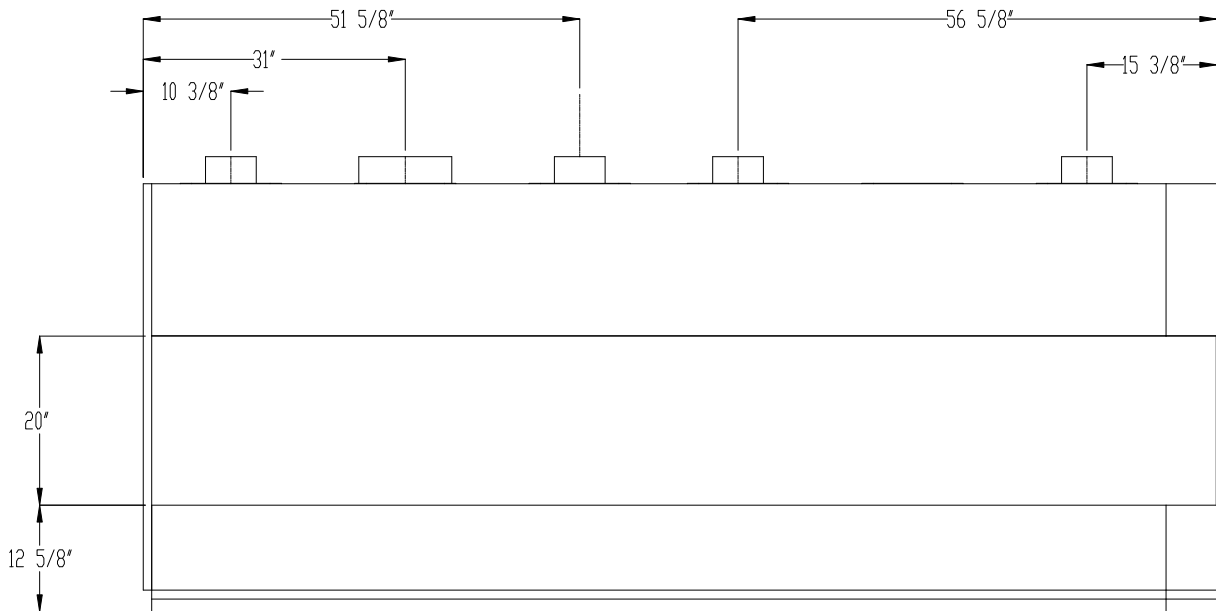
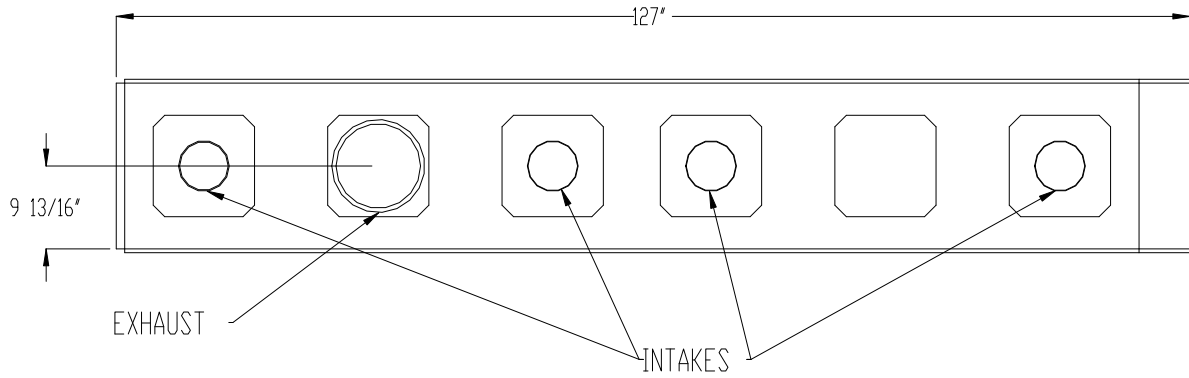
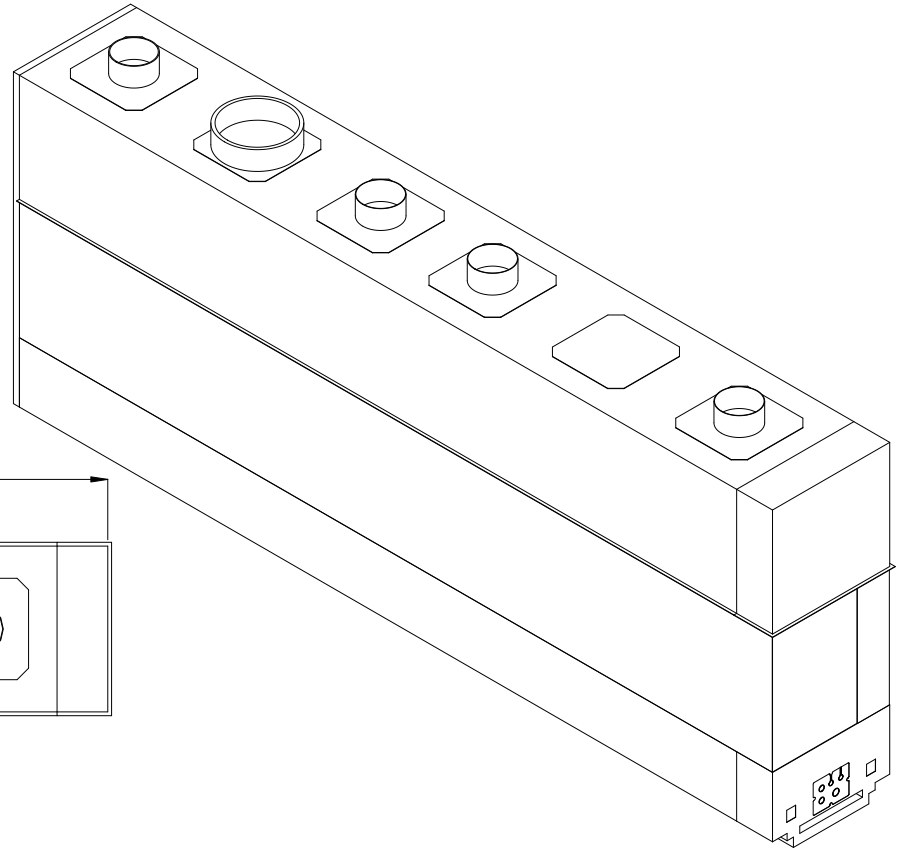
NG - Min = 5.5"wc (1.37kpa), Max = 7"wc (1.74 kpa)
 LP - Min = 11"wc (2.74 kpa), Max = 13"wc (3.23 kpa)



DaVinci Custom Fireplace™
STYLE: RIGHT CORNER 126" x 20"

Electrical Req'd - 7A 120V Gas Req'd - 145,000 BTU's

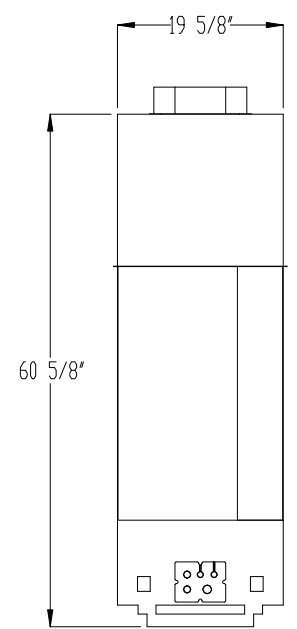
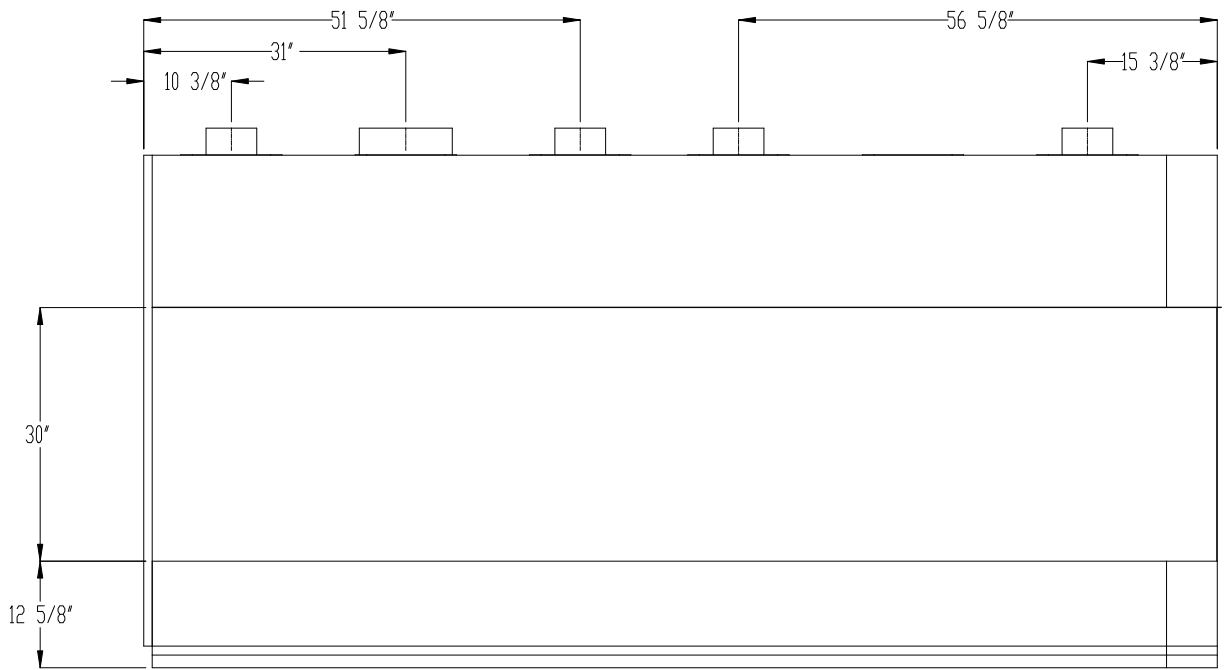
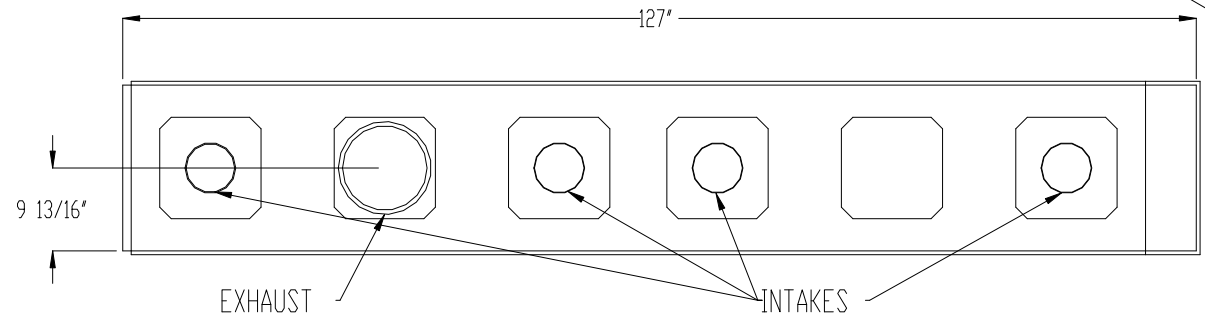
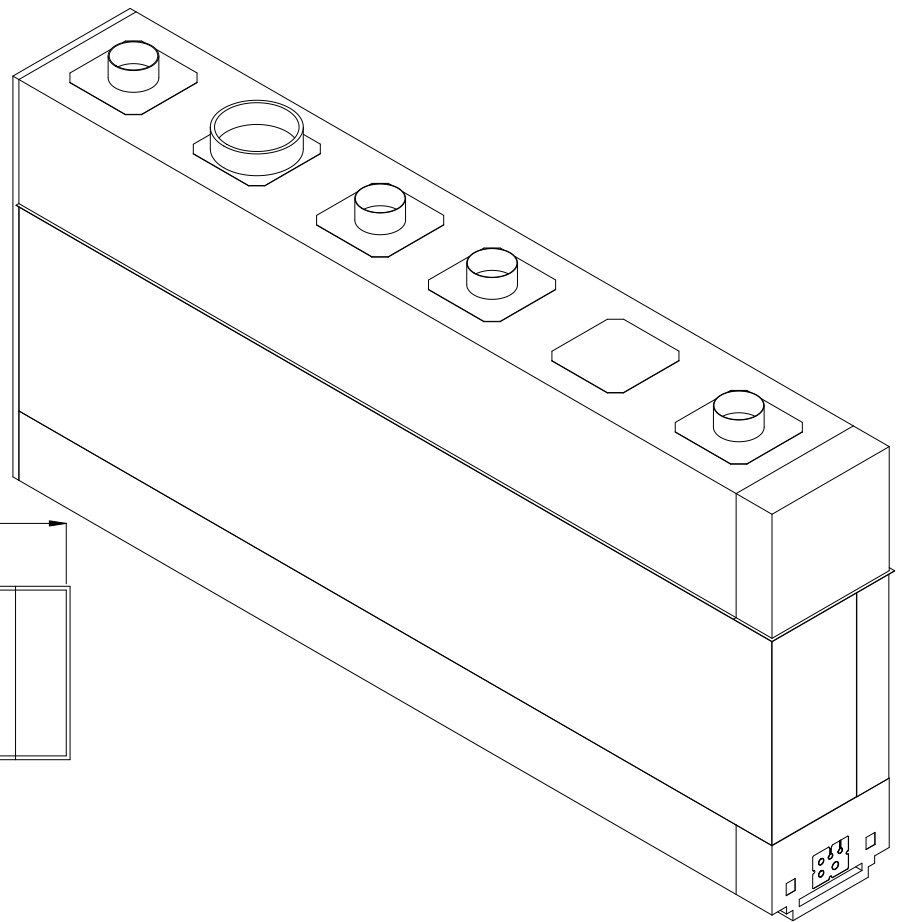
NG - Min = 5.5"wc (1.37kpa), Max = 7"wc (1.74 kpa)
LP - Min = 11"wc (2.74 kpa), Max = 13"wc (3.23 kpa)



DaVinci Custom Fireplace™
STYLE: RIGHT CORNER 126" x 30"

Electrical Req'd - 7A 120V Gas Req'd - 145,000 BTU's

NG - Min = 5.5"wc (1.37kpa), Max = 7"wc (1.74 kpa)
LP - Min = 11"wc (2.74 kpa), Max = 13"wc (3.23 kpa)



DaVinci Custom Fireplace™
STYLE: RIGHT CORNER 126" x 36"

Electrical Req'd - 7A 120V Gas Req'd - 145,000 BTU's

NG - Min = 5.5"wc (1.37kpa), Max = 7"wc (1.74 kpa)
LP - Min = 11"wc (2.74 kpa), Max = 13"wc (3.23 kpa)

