



Hearth Products Controls Co  
www.HPCfire.com

## TK Torch Match Lit



### Installation

We suggest that our products be installed by professionals that are locally licensed by the authority having jurisdiction in gas piping.

### Service



We suggest that our products be serviced by a professional certified in the US by the National Fireplace Institute (NFI) as NFI Gas Specialists.



**WARNING: FOR OUTDOOR USE ONLY**

### **▲ WARNING**

•Improper installation, adjustment, alteration, service, or maintenance can cause injury or property damage. Read the installation, operating, and maintenance instructions thoroughly before installing or servicing this equipment.

### **▲ WARNING**

•Do not store or use gasoline or other flammable vapors and liquids in vicinity of this or any other appliance.  
•An LP-cylinder not connected for use shall not be stored in the vicinity of this or any other appliance.

### **▲ DANGER**

If you smell gas:

- 1) Shut off gas to appliance.
- 2) Extinguish any open flame.
- 3) If odor continues, keep away from appliance and immediately call gas supplier or fire department.

**▲ DANGER**



### **CARBON MONOXIDE HAZARD**

This appliance can produce carbon monoxide which has no odor.

Using it in an enclosed space can kill you.

Never use this appliance in an enclosed space such as a camper, tent, car or home.

**INSTALLER:** Leave this manual with the appliance.  
**CONSUMER:** Retain this manual for future reference.

# Index:

1) General Information
2) Selecting the Location
3) Site Preparation
4) TK Installation

5) TK Operation
6) TK Maintenance
7) TK Troubleshooting
8) Warranty

## 1) General Information

Instructions are also available at [HPCfire.com](http://HPCfire.com)

Please carefully follow the instructions in this manual to prevent personal injury or property loss. Instructions are updated as needed. It is the installer's responsibility to periodically review instructions for applicable updates.

The steps listed as:

**WARNINGS:** Contains information critical to the safe installation and operation of the fire pit.

**WARRANTY REQUIREMENT:** Must be strictly followed to qualify for product warranty.

Warranty will be void if not followed.

**IMPORTANT:** Are notes and insights to help ensure product satisfaction and serviceability.

---

**WARNING:** It is the installer's responsibility to ensure a safe installation and to educate the end user as to proper operation. Leave this manual with the end user.

**WARNING:** Never alter product or configuration in any way.

**WARNING:** FOR REMOTE CONTROL / SHUTDOWN TIMER USE: Including but not limited to wall switches, hand held devices such as (cellphones, key fobs, remote controllers, timer controller, ect), business and whole house automated controlsystems. It is the user's responsibility to comply with the following guidelines:

- 1) Visual inspection
  - a. Visually ensure all covers are removed,
  - b. Visually ensure that the product is clear of people and any foreign debris prior to start-up
  - c. Visually ensure that the product is safe to start
- 2) Ensure product is monitored by a responsible adult during use.
- 3) When not in use, ensure power is off to the product to avoid accidental start-up of the product
- 4) Product is for use with electrical remote/timer control. Do not use with gas remote/timer controls.

**WARNING:** Not for use with any kind of automatic start-up timer.

**WARNING:** We suggest that our products be installed by professionals that are locally licensed by the authority having jurisdiction in gas piping. We suggest that our products be serviced annually by a professional certified in the US by the National Fireplace Institute (NFI) as NFI Gas Specialists or in Canada by WETT (Wood Energy Technical Training). Installer must follow all instructions carefully to ensure proper performance and safety. Hearth Products Controls Company is not responsible for your actions.

**WARNING:** Product is not intended to be a starter for wood or any other combustibles.

**WARNING:** Product is not for use with small LP Tanks and must utilize permanent fixed piping for fuel supply.

**WARNING:** It is the responsibility of the installer to follow:

- o The *National Fuel Gas Code, ANSI Z223.1/NFPA 54* or *International Fuel Gas Code*.
- o The *National Electrical Code, ANSI/NFPA 70*.
- o Local Codes

**WARNING:** Only use gas/fuel type specified for this fire pit see label on the fire pit control Box. Verify correct gas/fuel type and pressure. Never use an alternative fuel to include bio-fuel, ethanol, lighter fluid or any other fuel.

Gas pressure and type should be checked prior to use and installation.

- Natural Gas:

- Supply Pressure: Minimum: 3.5" W.C.; Maximum: 6.0" W.C.

- Outlet Pressure: 3.5" to 5.0" W.C.

- LP Gas:

- Supply Pressure: Minimum: 8.0" W.C.; Maximum: 11.0" W.C.

- Outlet Pressure: 8.0" to 10.0" W.C.

## 2) Selecting the Location

**WARNING:** The TK is designed for outdoor use only.

**WARNING:** The TK creates very high temperatures-it is very important that combustibles and people are kept at safe distances.

**WARNING:** For installation of the 24vac powered TK, it is required to install a wall switch or breaker for the TK electrical outlet away from the TK to prevent unwanted ignition of the fire pit.

**WARNING:** The TK location must accommodate a gas shut off in an accessible area.

**WARNING:** TK's create very high temperatures - Combustibles must be located far enough away that there is no risk of ignition.

**WARNING:** Both children and adults should be alerted to the hazards of high surface temperatures and should stay away to avoid burns and clothing ignition.

**WARNING:** Young children should be carefully supervised when they are in the area of fire pit.

**WARNING:** Clothing or other flammable materials should not be placed on or near fire pit.

- TK Clearance:

### TK Clearances

Sides Surrounding TK	36"
Above TK	84"

- The gas line should be a minimum of 1/2" or larger based on the number of TK's or other fire features and the distance from the energy source to the TK. Consult your local professional for proper gas line sizing.
- To enjoy your TK, select a location that allows for sufficient clearance from combustible materials.
- Choose a location that allows easy access for installation and maintenance of the TK. Make sure that trees and shrubbery are well clear around and above the TK.
- Pick a location that allows sufficient horizontal room to enjoy the TK while allowing a safe distance from the heat and flame.
- The TK is designed to be installed on a post. It is recommended that the TK flame is a minimum of 84" off the ground. This is a guideline. Installers should follow local code.
- The unit needs to be installed in a manner that ensures that pedestrian traffic cannot get closer than a 48" perimeter around the flame.
- Select a location where the TK can be attended during operation. Never leave an operating TK unattended or by someone not familiar with its operation or emergency shut off locations.

## 3) Site Preparation

**WARNING:** Ensure sufficient clearance from all combustibles and pedestrian traffic as outlined in "Selecting The Location".

**WARNING:** Class II, 24VAC, 4 amps (14 gauge wire) must be supplied to the TK head and able to be switched on and off from a remote location to allow for easy access or emergency. All Electronic Applications should utilize a GFCI protected circuit.

### **POWER MUST BE TURNED OFF WHEN NOT IN USE.**

**WARRANTY REQUIREMENT:** Do not daisy chain wiring for multiple TK installations. Each TK must have dedicated wiring to a 24VAC power supply.

**IMPORTANT:** Design site so the gas connection and 24vac electric supply are accessible after installation for maintenance.

**IMPORTANT:** If flex hose is used care must be taken not to drop the hose down the post. This can be especially problematic if the post is buried in concrete.

**IMPORTANT:** It is not recommended to mortar the post in place. This may make servicing the unit difficult. If the post will be mortared in place it may be advantageous to run solid pipe through the post to prevent accidentally dropping the flex hose down the post.

**IMPORTANT:** Determine installation method from Figure 1 or plan another method following the guidelines of this manual.

## 4) TK Installation

**WARNING:** Confirm this appliance is built for the gas used – natural gas or LP. Do not use natural gas appliance with LP or LP appliance with natural gas. Refer to label on this appliance.

**WARNING:** Always use proper materials and construction for gas supply, power, and post. Select materials that are non-combustible.

**WARRANTY REQUIREMENT:** The TK should be supported by a 3" Post of sufficient strength to support the TK head and withstand winds..

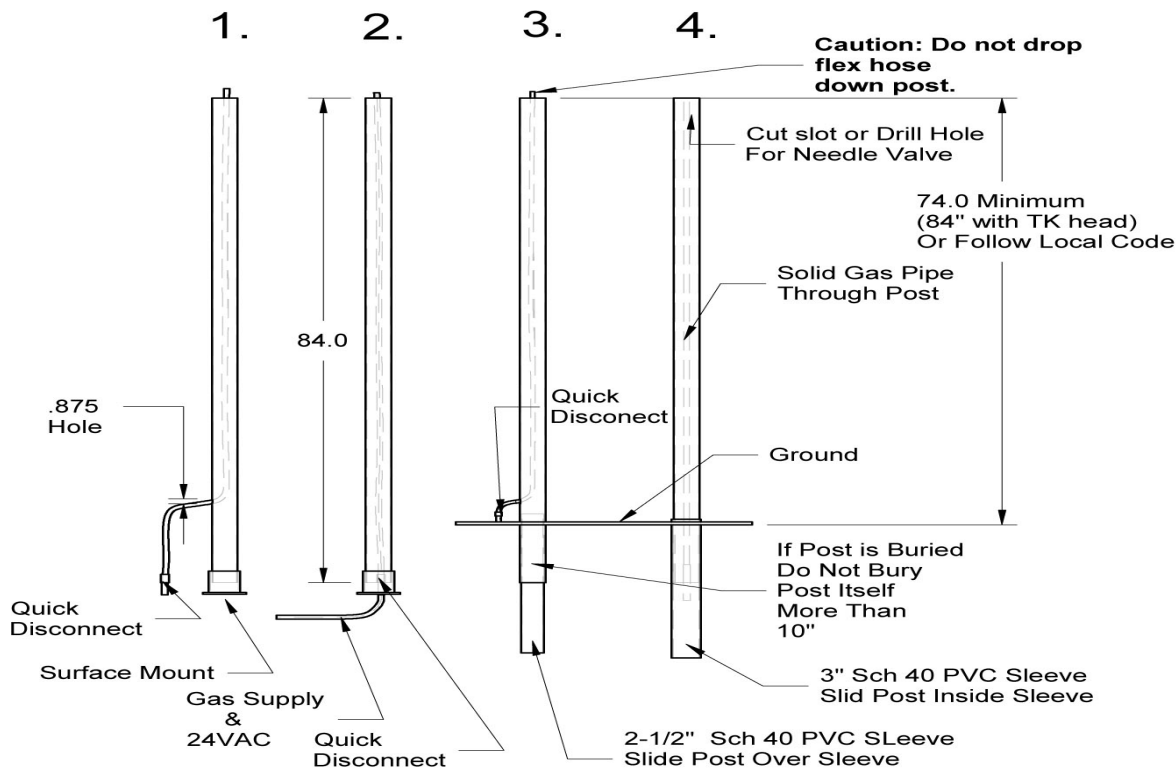
**WARRANTY REQUIREMENT:** Do not change the TK configuration in any way.

**IMPORTANT:** If method 3 or 4 is used check PVC/Post fit as desired before mortaring PVC in place.

## Installation

1. Ensure gas and power to the TK location are shut off.
  2. Cut a 3/8" by 2-1/4" slot in the top of the post for the needle valve stem. (Image 3&4, pg 6)
  3. Run Flex Hose through post (if used).
  4. Run power wire through post.
  5. Connect 1/4" Male end of flex hose to TK Head. Avoid sharp bends with flex hose to prevent whistling.
  6. Turn on main gas supply and check all fittings in and around TK for leaks using a leak reactant, leak detector or soapy water. If leaks are found, shut off gas supply repair leaks and retest.
  7. Connect 24VAC to wires from bottom of TK.
    - a. White is common, Black is positive.
  8. Set post in place and secure.
  9. Secure Post by chosen installation method.
    - a. For method 3 & 4 mortar the PVC sleeve in place.
    - b. Choose inside or out sleeve and ensure your PVC fits your post prior to mortaring in place
      - Slide post over or inside of PVC Sleeve and back fill.
        - Allows for the post to be removed for service.
10. Ensure finished installation is sturdy.
  - a. For the 3" PVC a bead of silicone at the post/PVC seam can be applied to add stability if needed.

Figure 1 - Examples of Installation Methods



## 5) TK Operation

**WARNING:** Before use test all gas connections for leaks. Do not use TK if there is any evidence of leaking gas. If leaking gas is suspected turn off the main gas supply and repair.

**WARNING:** When TK is not in operation power must be turned off via wall switch or breaker.

**WARNING:** Leaves, sticks, wood, paper, clothing, food material, should always be kept away from the TK. Make sure that there is no vegetation or other objects over the top or sides of the TK that could ignite or interfere with safe and proper operation.

**IMPORTANT:** As a safety feature if power to TK is turned "OFF" then immediately turned back "ON", the system will go into lockout mode. To reset, turn "OFF" power then back "ON" again.

**Initial Start-up:** Several "on/off" cycles may be necessary to purge air in gas lines after system installation. TK will lockout after 15 attempts to light pilot. Please power OFF then ON to restart.

## **TK START UP**

1. **STOP! Read the safety information on “What to Do If Smell Gas” (Pg. 1).**
2. Confirm there is no debris in TK (as mentioned in warnings).
3. Turn “ON” electrical power and gas to fire pit.
4. Using wall switch or remote, turn “ON” TK- this may take several cycles to purge any air.
5. To reset after lockout, power unit down then restart.
6. Once TK has ignited, **DO NOT** leave unattended.

### **Sequence of Operation:**

1. The hot wire igniter will be powered (glow red) for 5 seconds before valve opens.
2. The hot wire igniter will only be powered the initial 15 seconds of the 60 second pilot cycle. This sequence will repeat up to 15 times (~15 minutes) before going into lockout. To reset, turn “OFF” power then back “ON” again.
3. Flame will ignite and warm thermocouple- it may take 30 seconds at times for thermocouple to get hot. If thermocouple is not hot in 60 seconds, system will shutdown then go back to Step 1.
4. If flame is blown out at anytime, system will shutdown, then automatically restart (Step 1).

## **TK SHUTDOWN**

1. Turn “OFF” TK using remote control or wall switch.

**IMPORTANT: REMOTE CONTROL USE: YOU MUST ALSO TURN OFF POWER TO REMOTE CONTROL SYSTEM TO PREVENT ACCIDENTAL START.**

## **6) TK Maintenance**

**WARNING:** Ensure power and gas are off to TK unit prior to any cleaning or maintenance.

**IMPORTANT:** Regular Cleaning of the Top, Burner, and Kano Sleeve will reduce the amount of soot build up and extend the outward appearance of your TK.

- 1) Keep any debris out of TK clean as needed.
- 2) TK Cleaning.
  - a) Cleaning Frequency will depend on fuel type and hours burned.
  - b) Ensure power and gas are shut-off.
  - c) Allow the unit to cool.
  - d) Carefully remove the top by turning clockwise and lifting.
    - a. Be careful not to damage igniter.
  - e) Lift the Kano sleeve off.
    - a. The Kano sleeve and top can be cleaned with a soft rag, water and a mild soap.
    - b. Use a non abrasive soap to prevent scratching the Kano sleeve.
- 3) Cleaning of thermocouple: A build up of soot on the thermocouple will result in the TK shutting off frequently and possibly going into lock out.
  - f) With a small soft bristle brush clean the thermocouple and burner.
    - a. Be careful not to damage the igniter.

Image 1



Image 2



Image 3



Image 4



## 7) TK Troubleshooting

### TK Trouble Shooting

Below are some potential causes and countermeasures to the symptoms indicated in bold. If still unable to resolve issue, please contact your retailer or certified technician.

#### **Hot Wire Will Not Glow**

1. No power to unit.
2. Hot wire element damaged
3. Damaged wires.

Confirm breaker, wall switch, and/or remote are on.

Change hot wire element.

Inspect wires to hot wire- confirm insulation is in good condition and connections are tight.

#### **Will Not Light**

1. Air in gas line.
2. Debris in gas line.
3. Gas Pressure Improper

If new install, may take several attempts to purge air

Confirm gas line is clear (insulation, dirt, plastic, excessive pipe sealer etc..)

Confirm proper gas pressure found (Pg. 2)

#### **Will Not Stay Lite**

1. Gas Pressure Improper
2. Dirty Thermocouple

Confirm proper gas pressure found (Pg. 2)

Clean using soft brush (Pg. 6)

## 8) Warranty

### **Limited Warranty**

Hearth Products Controls Company (HPC) warranties HWI fire pits against manufacturing defects that prevent safe operation as follows:

- **Electronics, Gas Valve, :** Commercial-1yr; Residential- 3 yr.
- **Pilot Assy :** Commercial-1 yr.; Residential-2 yr.
- **Stainless Steel Pan, Fire Ring, & Valve Box:** Commercial-1yr.; Residential 5yrs.

This commences from the date of original sale / shipment from HPC FOB Dayton, Ohio.

This warranty is for parts and in-house (HPC) labor. The defective product must be sent back to HPC with a Return Merchandise Authorization (RMA) issued by HPC for that specific product and any other additional information for the nature of the defect or warranty claim.

The warranty does not cover items that have been damaged by overheating, modification, abuse, or improper storage. Also any labor involving installation or maintenance with the unit is not covered.

This warranty excludes claims for consequential, indirect-collateral expenses arising from product defects or warranty recovery.