



FIELD FABRICATED SHROUDS

These shroud designs have been certified and tested for DESA fireplace systems for use with Round Top Termination Series for 8" (RT/RTT/RTL/RTTL-8DM), 10" (RTL-10DM), 12" (RTL-12D), direct vent and b-vent terminations. These shroud designs must be constructed from a minimum 26 ga. aluminized steel and may be field constructed if dimensional requirements specified in Figures 1 through 6 are maintained. *Note:* All dimensions are minimum.

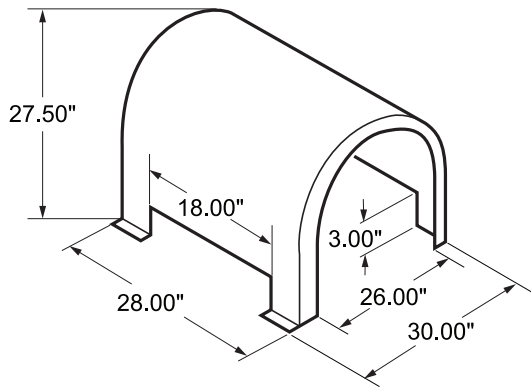


Figure 1 - Standard Arch Shroud

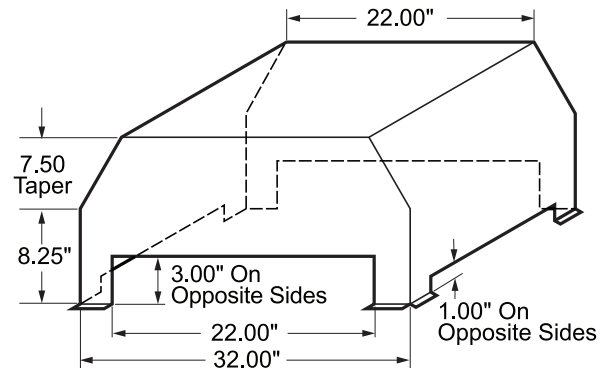


Figure 4 - Square Shroud (Tapered)

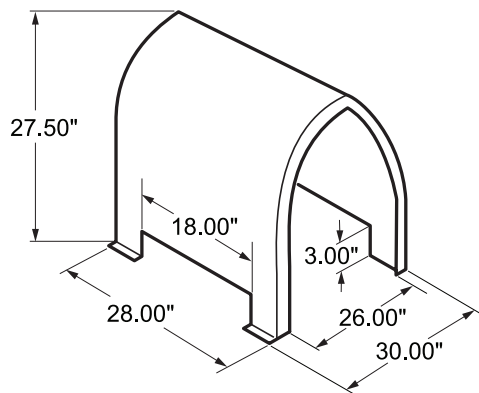


Figure 2 - Bishops Arch Shroud

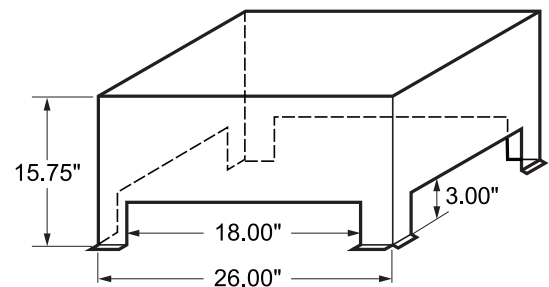


Figure 5 - Square Shroud

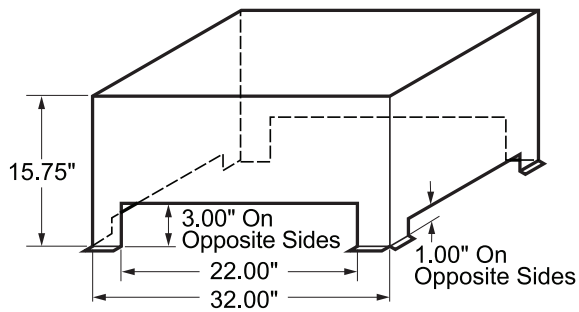


Figure 3 - Square Shroud

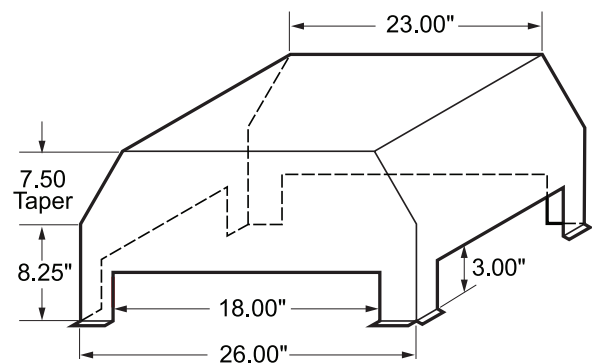


Figure 6 - Square Shroud (Tapered)

THE MINIMUM SPACER CLEARANCE AND TYPE OF TERMINATION CAP USED WILL DETERMINE WHICH SHROUD DESIGN IS APPROPRIATE. PLEASE REFER TO PAGE 3, FIGURES 10 AND 11 FOR DETAILS.

SHROUD INSTALLATION

The Round Top Termination should be installed completely (refer to installation instructions supplied with your DESA termination) before installing shroud. A 6" minimum clearance must be maintained between bottom of termination and top of flashing (see Figure 7). Place shroud over chase top flashing and secure with sheet metal screws (see Figure 8). **IMPORTANT:** Refer to page 3 for minimum chase top flashing clearance and termination cap model.

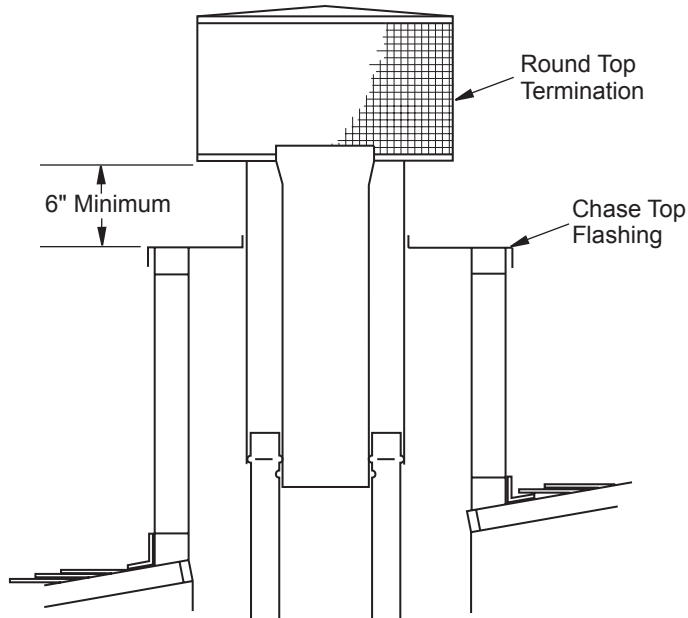


Figure 7 - 6" Minimum Clearance

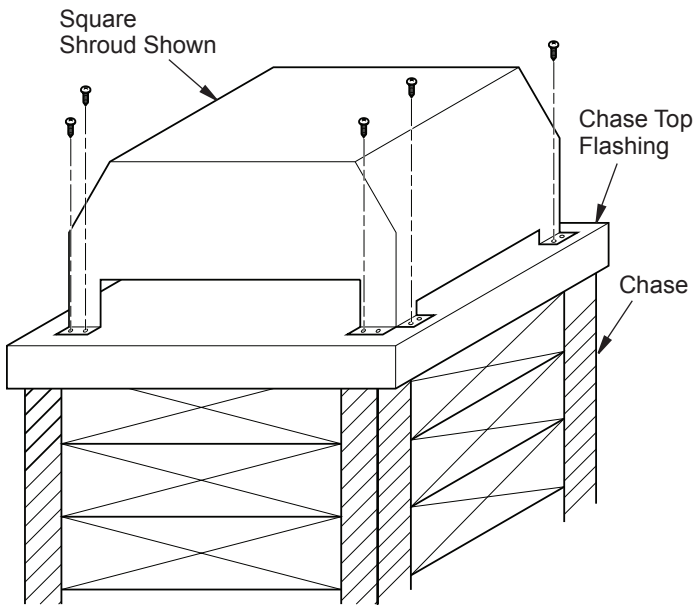
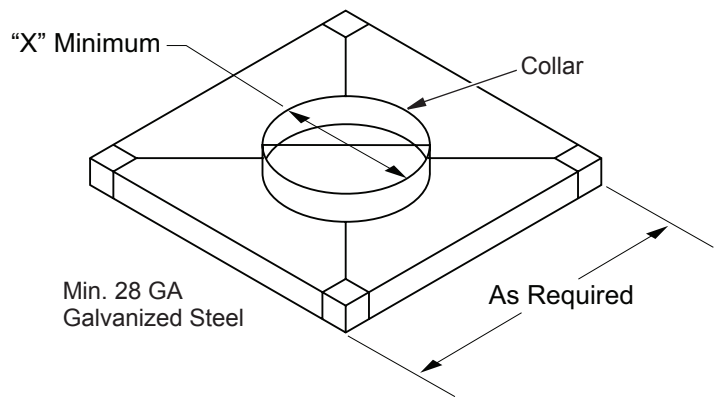


Figure 8 - Shroud Installation

CONSTRUCTING CHASE TOP FLASHING

Fabricate flashing with the required diameter hole centered over chimney end (see Figure 9).



PIPE SYSTEM	X
8" Wood Burning	15 1/2"
10" Wood Burning	16 1/4"
12" Wood Burning	16 1/4"
Direct Vent	8 1/2"

Figure 9 - Chase Top Flashing

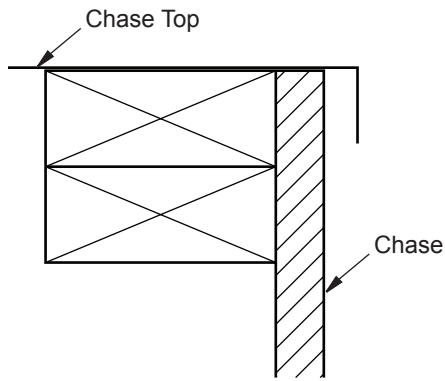


Figure 10 - Zero Clearance

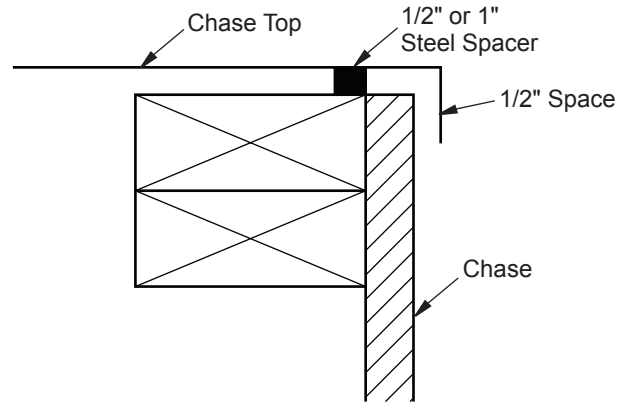


Figure 11 - 1/2" or 1" Clearance

ZERO MINIMUM SPACER CLEARANCE

FABRICATED SHROUD REQUIRED	TERMINATION CAP MODEL REQUIRED
Standard Arch Shroud 28L x 30W x 27.50H (see Figure 1, page 1)	RT-8DM, RTT-8DM, VT-58 (Direct Vent and B-Vent)
Bishops Arch Shroud 28L x 30W x 27.50H (see Figure 2, page 1)	RT-8DM, RTT-8DM, VT-58 (Direct Vent and B-Vent)
Square Shroud 26L x 26W x 15.75H (see Figure 5, page 1) with 3" opening on all sides	RT-8DM, RTT-8DM, VT-58 (Direct Vent and B-Vent)
Square Shroud (Tapered) 26L x 26W x 15.75H (see Figure 6, page 1) with a 3" opening on all sides	RT-8DM, RTT-8DM, VT-58 (Direct Vent and B-Vent)

1/2" MINIMUM SPACER CLEARANCE

FABRICATED SHROUD REQUIRED	TERMINATION CAP MODEL REQUIRED
Square Shroud 26L x 26W x 15.75H (see Figure 5, page 1) with 3" opening on all sides	RTL-8DM, RTTL-8DM, RTL-10DM
Square Shroud (Tapered) 26L x 26W x 15.75H (see Figure 6, page 1) with a 3" opening on all sides	RTL-8DM, RTTL-8DM, RTL-10DM

1" MINIMUM SPACER CLEARANCE

FABRICATED SHROUD REQUIRED	TERMINATION CAP MODEL REQUIRED
Square Shroud 32L x 32W x 15.75H (see Figure 3, page 1) with 1" and 3" openings on opposite sides	RT-8DM, RTT-8DM, RTL-8DM, RTTL-8DM, RTL-10DM, RTL-12D, VT-58 (Direct Vent and B-Vent)
Square Shroud (Tapered) 32L x 32W x 15.75H (see Figure 4, page 1) with 1" and 3" openings on opposite sides	RT-8DM, RTT-8DM, RTL-8DM, RTTL-8DM, RTL-10DM, RTL-12D, VT-58 (Direct Vent and B-Vent)
Standard Arch Shroud 28L x 30W x 27.50H (see Figure 1, page 1)	RTL-10DM, RTL-12D
Bishops Arch Shroud 28L x 30W x 27.50H (see Figure 2, page 1)	RTL-10DM, RTL-12D

INSTALLATION OF DESA FABRICATED SHROUD LEGS (MODEL SLK)

DESA fabricated shroud legs can be used to provide a 3" opening between bottom of shroud and chase top flashing. The Shroud Leg Kit (SLK) contains 4 shroud legs and 24 self-drilling screws. Use the following instructions to install shroud legs.

1. Place chase flashing on top of shroud leg tabs (bent).
2. Secure shroud legs with self-drilling screws as shown in Figure 12. **Note:** Both corner edges should be flush.

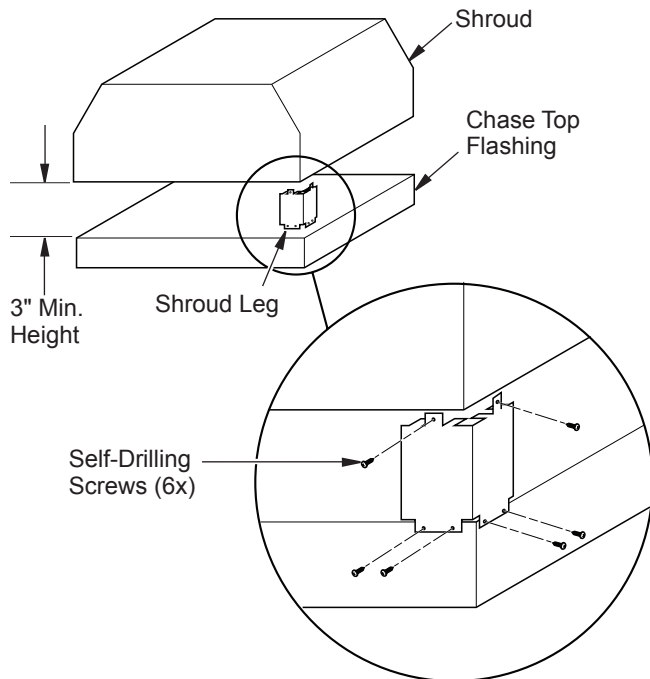


Figure 12 - Shroud Leg Installation

DESATM

2701 Industrial Drive
P.O. Box 90004
Bowling Green, KY 42102-9004
www.desatech.com



108180 01

NOT A UPC