



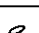


En

# ASSEMBLY INSTRUCTION

Model:TA0287X

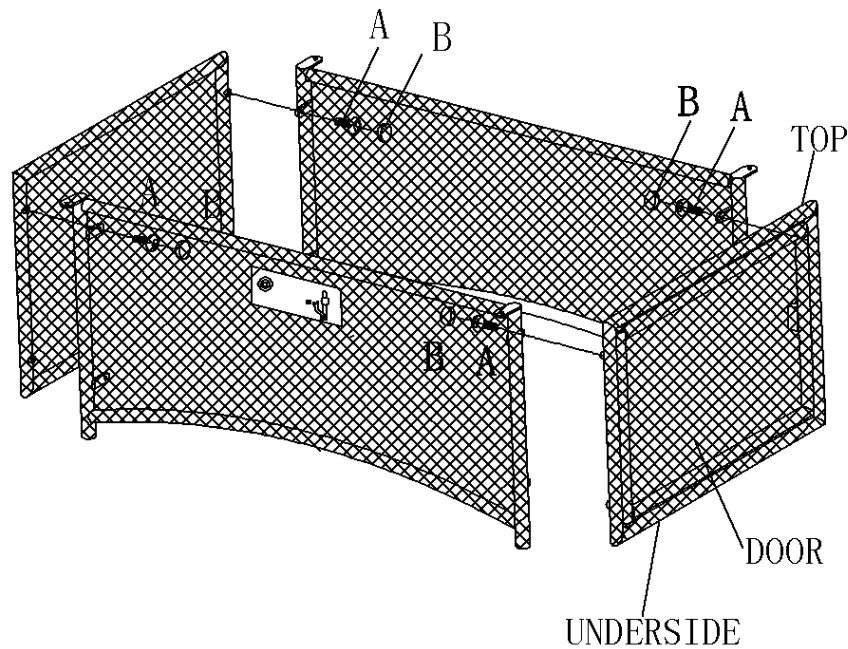
## Part list:

A		Bolt M6X20MM	8PCS	B		Cover	12PCS
C		Bolt M6X13MM	4PCS	D		M6 Wrench	1PC
E		Plastic underlay	4PCS				

### Note:

Please un\_screw bolt from legs and re-use them for assembly

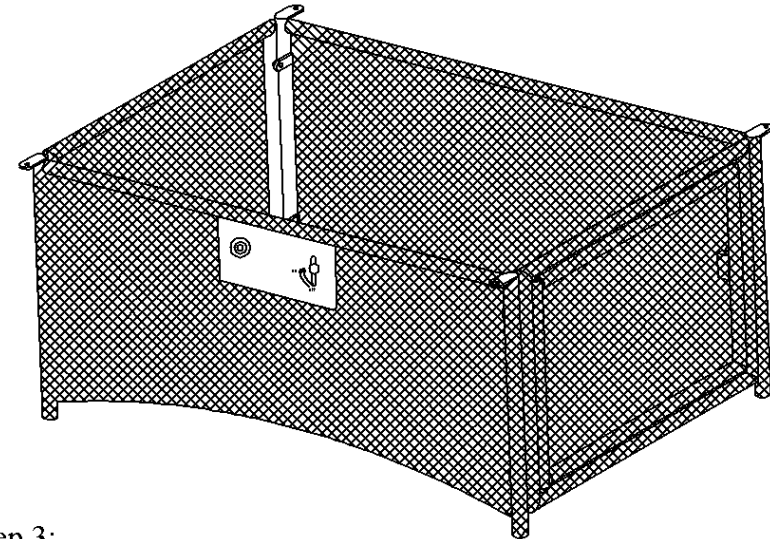
### Step 1:



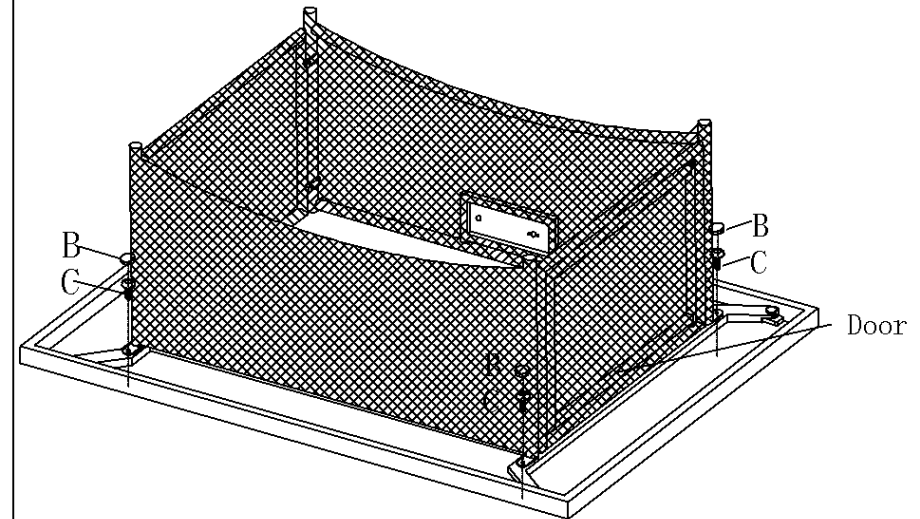
# ASSEMBLY INSTRUCTION

Model:TA0287X

### Step 2:

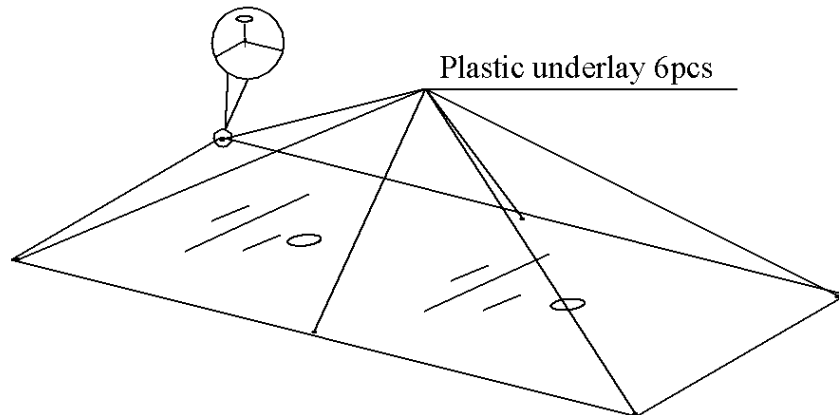


### Step 3:

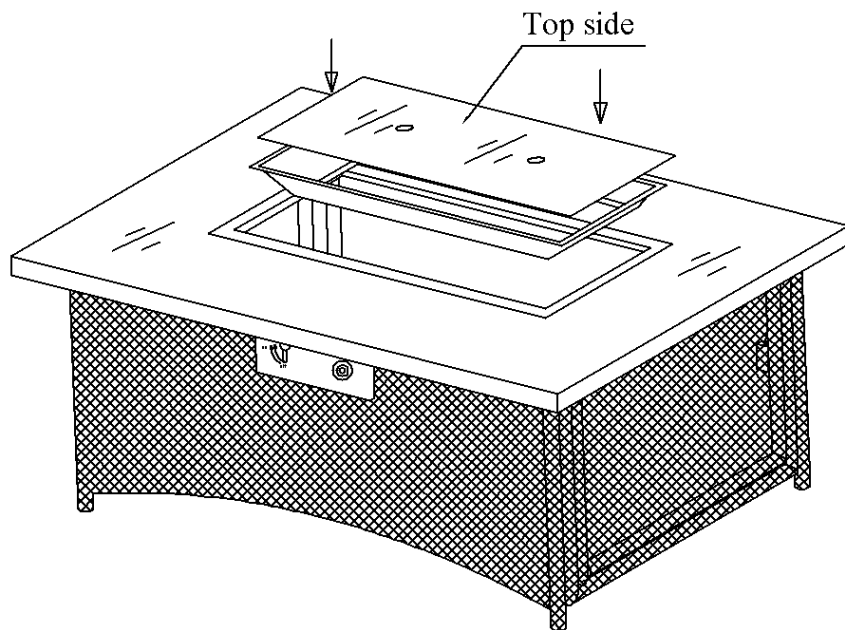


ASSEMBLY INSTRUCTION  
Model: TA0287X

Step 4: Please glue the Plastic underlay to bottom side of the middle glass.



Step 5:



ASSEMBLY INSTRUCTION  
Model: TA0287X

Completed unit:

