

TC 54



TOWN & COUNTRY FIREPLACES



The Original Clean Face Gas Fireplace  
and only luxury fireplace with  
Design-A-Fire



## *Is it a Real Wood Burning Fire?*

Town & Country's TC54 Luxury Gas Fireplace is the world's largest direct vent gas fireplace.

It is grandly proportioned to fit in great rooms and commercial settings that previously required a custom-built hearth.

Tall, vibrant flames dance behind premium "disappearing" ceramic glass so non-reflective your guests will believe it is an open fire.

When size matters, the TC54 delivers a massive performance.

*TC 54 with Country Home Burner and Heritage Red Brick Panels*



### *Maestro* —

THE DIRECTION OF  
FIREPLACE CONTROL

Award winning Maestro Control System with discrete wall mounted on/off and flame control, and elegant programmable handheld remote, included with your Town & Country fireplace.

THE TOWN & COUNTRY

# TC54

*A Fireplace to fit the Greatest of Rooms*



## FIREPLACE FEATURES

- A huge luxury fireplace with an exceptional flame
- Clean Face louver-less design with premium Ceramic "Disappearing" Glass
- Flush Hearth for the authentic look of a wood burning fire
- Maestro Control System with wall-mounted operation and elegant programmable handheld remote
- Create your fire inside the firebox with Design-A-Fire
- Electronic Ignition converts to Standing Pilot at push of a button
- Natural Gas or Propane
- Battery back-up to operate during power outages
- Versatile Installation up to 66' from an exterior wall with optional power venting
- Superior materials and construction

Visit

[www.townandcountryfireplaces.net](http://www.townandcountryfireplaces.net)

to see the full line of Town & Country fireplaces



*Country Home Burner with Heritage Red Brick Panels*



*Country Home Burner with Tuscan Panels*



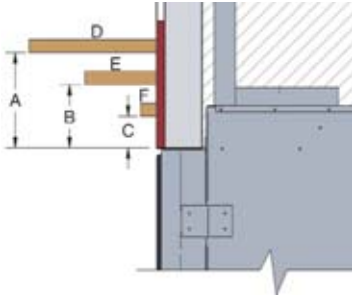
*Country Home Burner with Beige Herringbone Panels*



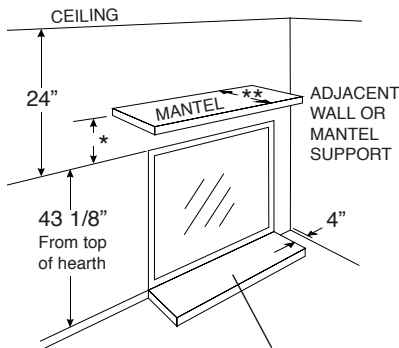
Cover mantel by [www.davincistonecraft.com](http://www.davincistonecraft.com)

# TOWN & COUNTRY FIREPLACES

## MANTEL CLEARANCES



REF.	* MANTEL CLEARANCE	REF.	** MANTEL DEPTH
A	17"	D	12"
B	15"	E	6"
C	12"	F	1"

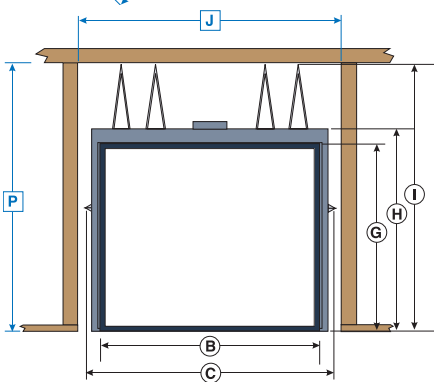
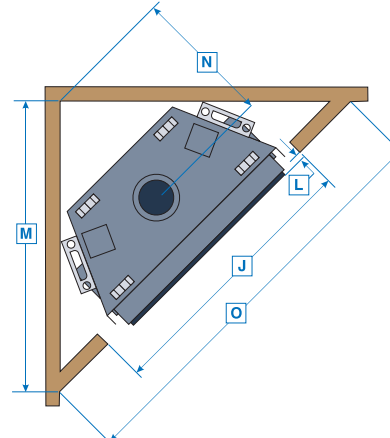
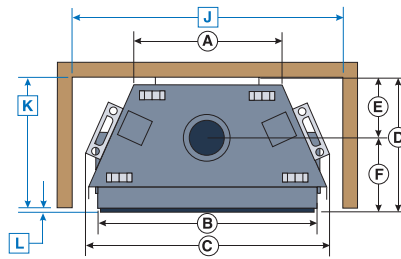


A 18" DEEP, 2" THICK, NON-COMBUSTIBLE HEARTH MUST BE PLACED IN FRONT OF THE FULL WIDTH OF THE GLASS

Canadiff <b>ENERGUIDE</b>	BTU INPUT	NG	LP
Look for the EnerGuide Gas Fireplace Energy Efficiency Rating in this brochure <small>Based on CSA #4.1-02</small>	HIGH	93,000	93,000
	LOW	67,000	67,000
EnerGuide Rating		32.28%	32.28%

Town & Country Fireplaces are decorative appliances – crafted with low heating efficiency for maximum viewing comfort.

## APPLIANCE DIMENSIONS AND MINIMUM COMBUSTIBLE FRAMING DIMENSIONS



### APPLIANCE DIMENSIONS

(A)	35 5/16"	89.69 cm
(B)	53 9/16"	136.05 cm
(C)	59"	149.86 cm
(D)	31 1/16"	78.90 cm
(E)	16 7/16"	41.75 cm
(F)	14 5/8"	37.15 cm
(G)	44 1/8"	112.08 cm
(H)	48 1/8"	122.24 cm
(I)	63 7/8"	162.24 cm

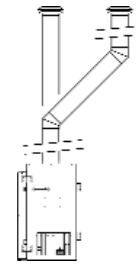
### MINIMUM COMBUSTIBLE FRAMING DIMENSIONS

(J)	63 3/4"	161.93 cm
(K)	30 1/2"	77.47 cm
(L)	3/4"	1.91 cm
(M)	69 7/8"	176.53 cm
(N)	33 1/8"	84.14 cm
(O)	98 7/8"	251.14 cm
(P)	64 1/4"	163.20 cm



Town & Country's comprehensive Warranty assures you of a lifetime of warmth and pleasure

## TC54 VERTICAL TERMINATION VENTING

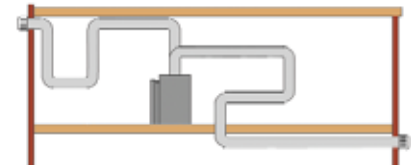


Vent to a roof terminal up to 48' from the fireplace with standard TC8X11 venting

(See Instruction Manual for rise/run combinations)

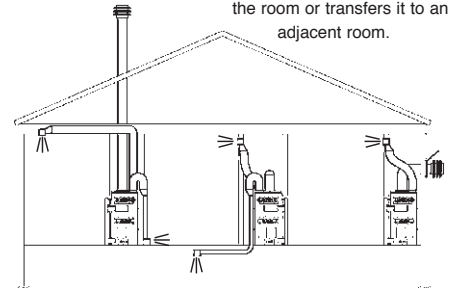
## TC54 HORIZONTAL TERMINATION VENTING

High Capacity Power Vent System, with standard TC8X11 Venting, reaches a wall-mounted terminal up to 66' from the fireplace with up to six 90° elbows, including runs 3' below the unit.



## OPTIONAL REMOTE HEAT KIT

Optional Remote Heat Kit, with Variable-Speed Fan, controls heat flow from your Town & Country Fireplace to the room or transfers it to an adjacent room.



FIND A TOWN & COUNTRY FIREPLACE RETAILER AT [www.townandcountryfireplaces.net/showroom.php](http://www.townandcountryfireplaces.net/showroom.php)

ARCHITECT, DESIGNER AND BUILDER RESOURCES AT [www.townandcountryfireplaces.net](http://www.townandcountryfireplaces.net)

OR EMAIL [sales@townandcountryfireplaces.net](mailto:sales@townandcountryfireplaces.net)



TOWN & COUNTRY  
FIREPLACES™