

Fireplace and Venting Specifications

for
architects
designers
and
builders

IMPORTANT

This booklet is intended as a basic specification guide for architects, designers and builders. Please refer to the Instruction Manual supplied with the fireplace for detailed information regarding installation and operation. Product installation manuals can also be viewed at: www.townandcountryfireplaces.net.



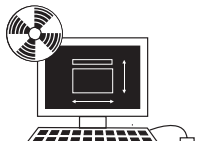
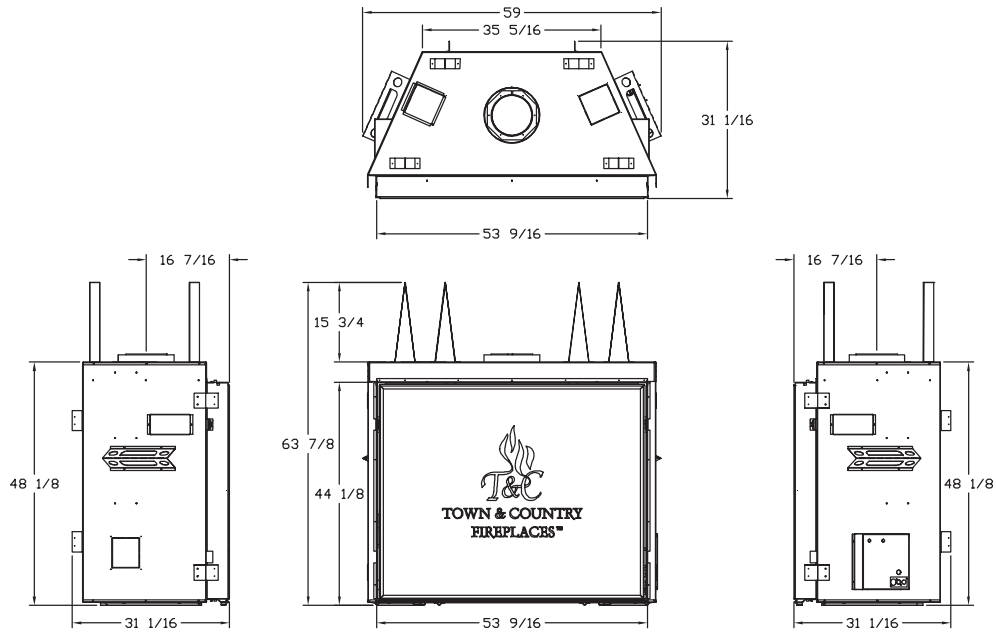
TOWN & COUNTRY
FIREPLACES™

TC54 Series C



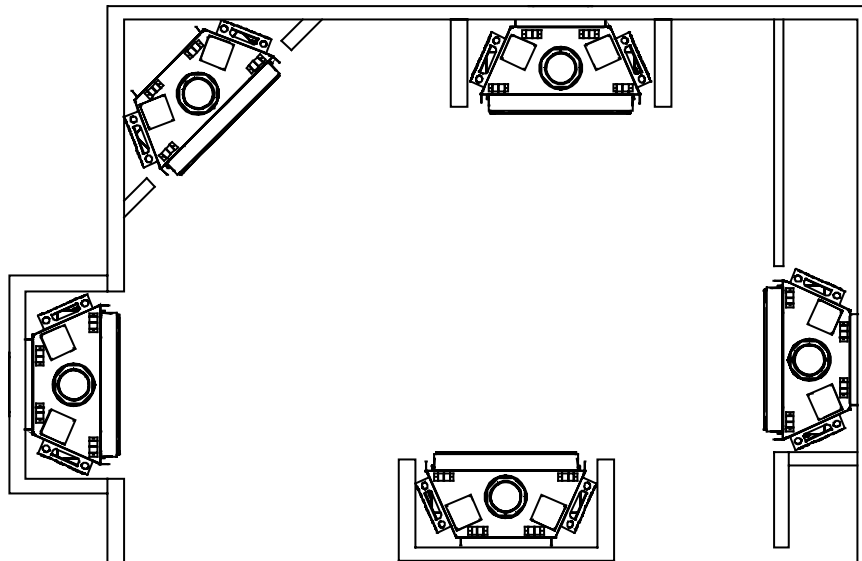
Model TC54 Series C

Fireplace Dimensions



TC54.CE Architect.dxf
Available on CD ROM and
www.townandcountryfireplaces.net

Examples of Common Locations



For reference only. Consult Manual before installation

Mantel Clearance Chart

COMBUSTIBLE FRAMING AND FINISH WALL ABOVE STANDOFFS

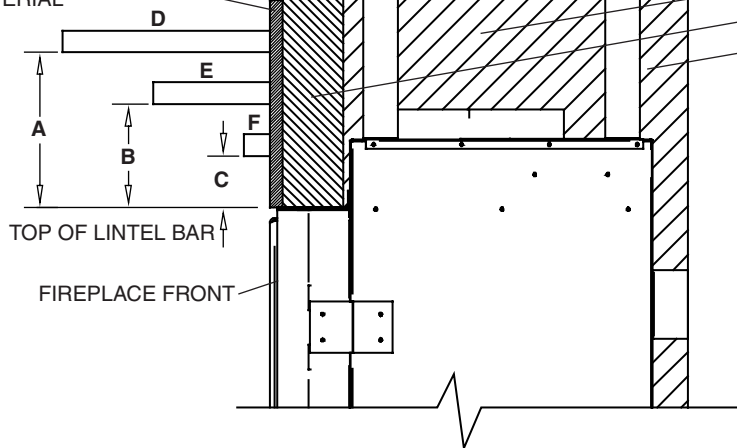
MAY USE COMBUSTIBLE FACING MATERIAL IN THIS AREA

NON-COMBUSTIBLE FINISH MATERIAL SEE FIG #7

STEEL FRAMING

STANDOFFS

NON-COMBUSTIBLE ZONE. DO NOT INSTALL ANY COMBUSTIBLE MATERIAL, ELECTRICAL WIRING OR GAS PLUMBING IN THIS AREA.



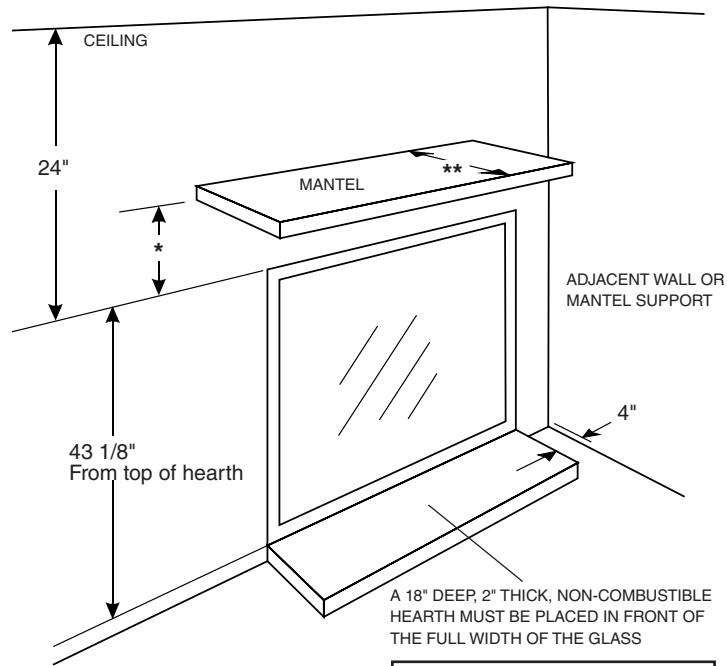
MANTEL CLEARANCE CHART

* MANTEL CLEARANCE

A	17"
B	15"
C	12"
** MANTEL DEPTH	
D	12"
E	6"
F	1"

Minimum Clearances to Combustibles

Side standoffs	0 in.	(0 mm)
Back standoffs	0 in.	(0 mm)
Top standoffs	0 in.	(0 mm)
Bottom of appliance	0 in.	(0 mm)
Adjacent side wall	4 in.	(102 mm)
Ceiling to appliance	24 in.	(610 mm)
*Mantel to appliance	See above	
**Maximum Mantel extension	See above	
Mantel support	4 in.	(102 mm)
Vent pipe (Top, sides and bottom)	1 3/4" in.	(45 mm)



UNIT MAY BE RECESSED UP TO 6" WITH NON-COMBUSTIBLE MASONRY TYPE MATERIAL

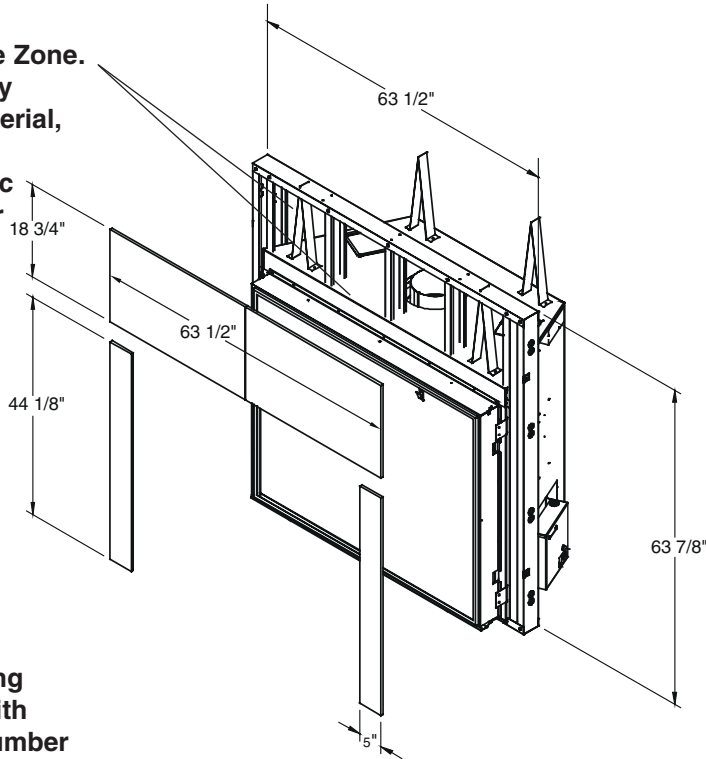
SEE HEARTH EXTENSION ON PAGE 5 FOR DETAILS

For reference only. Consult Manual before installation

Steel Stud Framing Kit Dimensions Kit supplied with unit

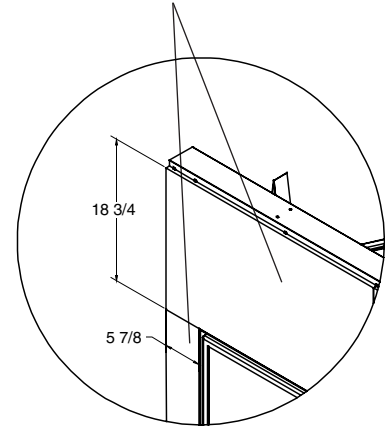
Concrete Board Detail

Non-combustible Zone.
Do not install any combustible material, electric wiring, insulation, plastic vapour barrier or gas plumbing within the steel stud frame.



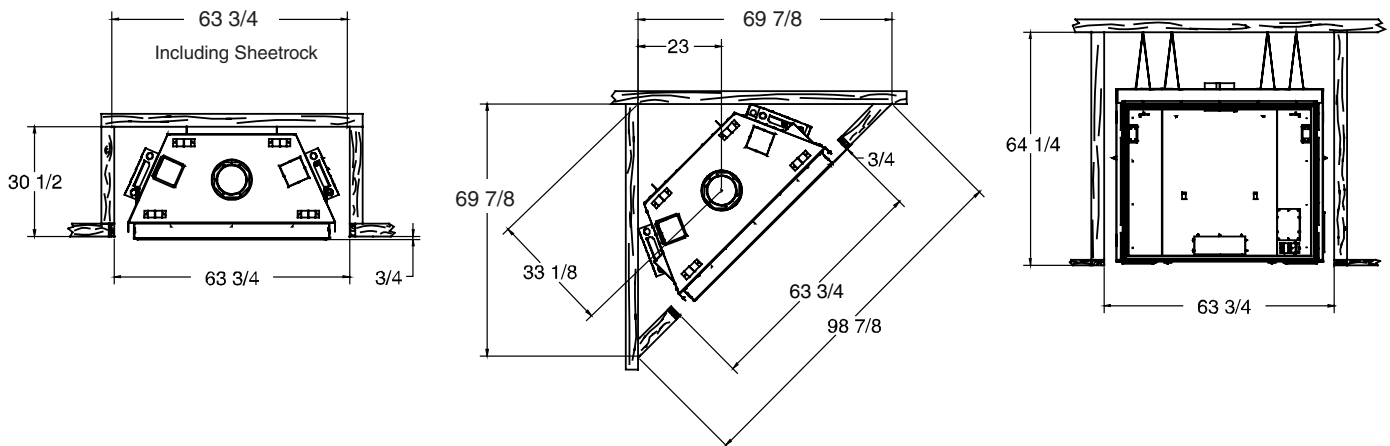
All other framing can be done with conventional lumber

CONCRETE BOARD



Concrete board (or other non-combustible material) must extend 18 3/4" above and 5 7/8" to the sides of the framing edges.

Minimum Combustible Framing Dimensions



NOTE: Fireplace should be in its final location before framing.

For reference only. Consult Manual before installation

Maestro Control System

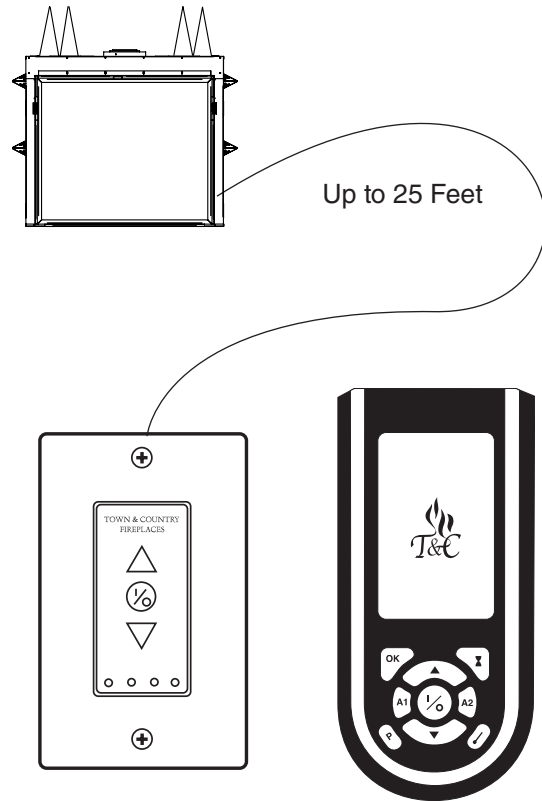
Town & Country Fireplaces feature the Maestro Control System*. Each fireplace arrives equipped with a small wall-mounted decor-series faceplate that is located by wire up to 25' from the hearth. This permits on/off operation, flame modulation and houses the battery back-up system for operation during power outages.

The concealed valve system within the fireplace features a quick disconnect modular design, and external ports for gas set-up and testing. With no batteries in the fireplace, there is little need for the property owner to open the glass upon installation.

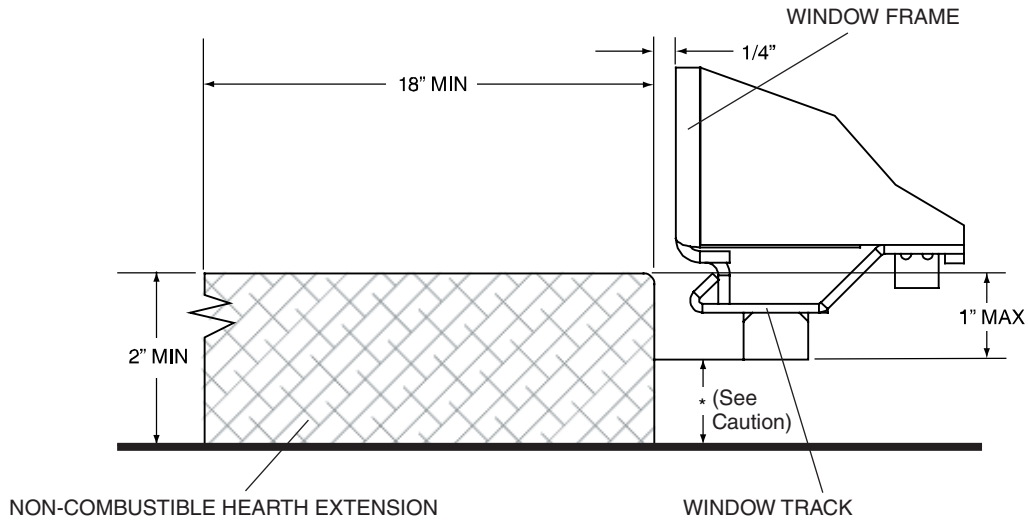
An elegant handheld 4-way programmable remote is also included with every unit. A count-down timer, week-day/weekend programmable on/off, manual control and thermostat mode (where permitted), are programmed on the easy-to-read LCD display. The remote also offers a child lock-out feature.

Each Town & Country Fireplace is shipped with a Maestro Control electronic ignition system. Conversion to standing pilot is possible at the press of a button.

**Available on Series C Town & Country fireplaces only.*



Hearth Extension



*** Caution:**

A minimum 2" thick non-combustible hearth extension extending 18" in front of this fireplace must be fitted if a combustible sub floor extends in front of the fireplace. To ensure that the hearth does not interfere with the window frame the fireplace must be raised to ensure that the hearth extension is no more than 1" above the bottom of the fireplace.

The fireplace can be raised using combustible or non-combustible materials ensuring that it is fully supported along the full width and depth of the fireplace.

For reference only. Consult Manual before installation

Vertical Termination Venting Charts

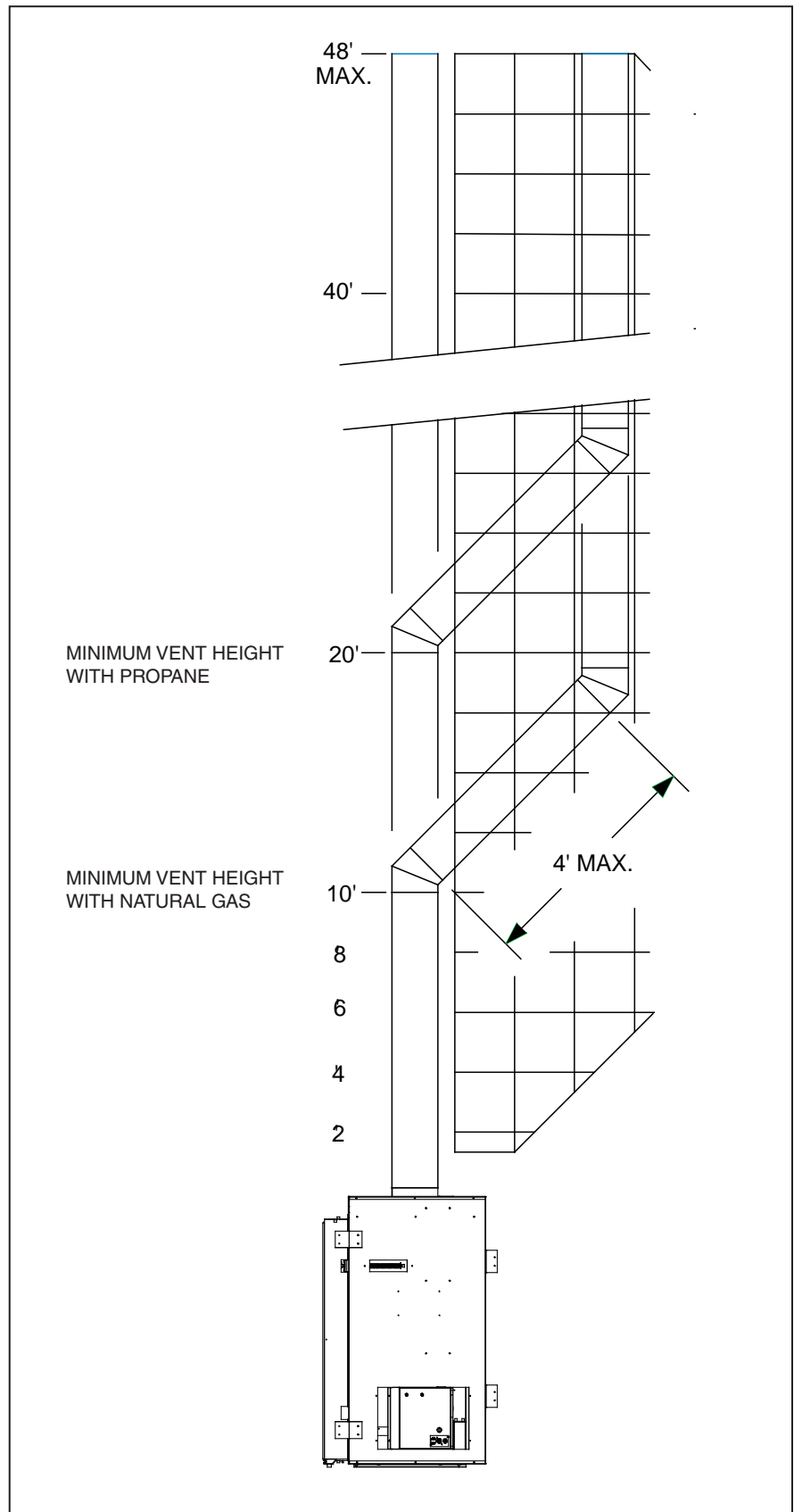
Various combinations of vent runs may be used. Refer to diagram on right.

For optimum performance and flame appearance, keep the vent length to a minimum and limit the number of elbows.

Connections between each vent system component must be tightly joined, secured with sheet metal screws and sealed.

CAUTION:
Under no condition should combustible material be closer than 1 3/4 inches from any part of the vent pipe.

Only 45° elbows can be used in this vent system.



For reference only. Consult Manual before installation

Horizontal Termination Venting

Maximum vent length for a horizontal termination is 66 ft plus six 90 degree elbow or combination of other elbows equaling 90 degrees.

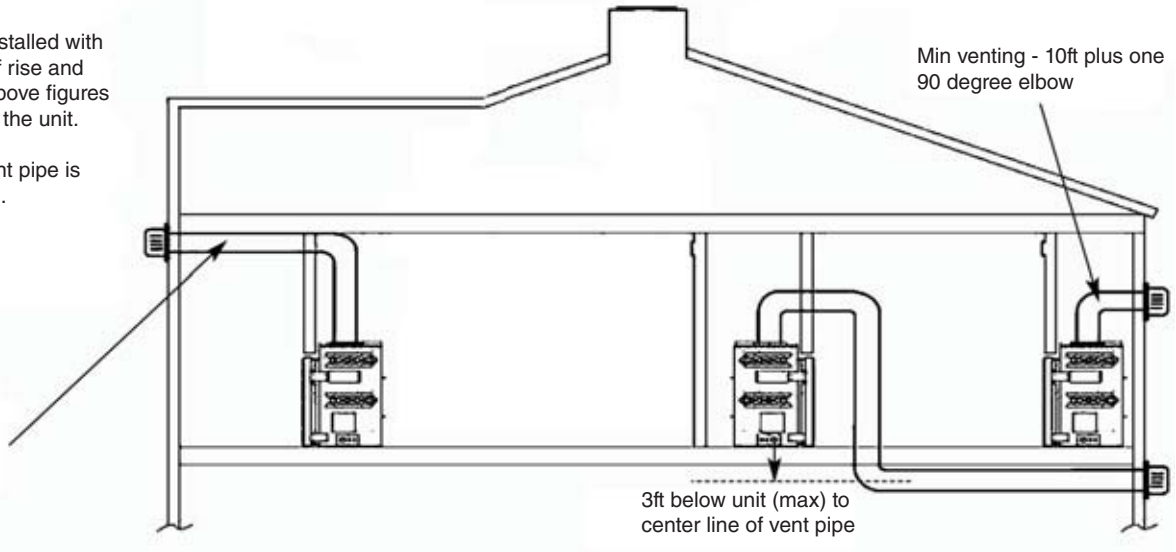
Minimum vent length is 10 ft plus one 90 degree elbow.

The vent can be installed with any combination of rise and run between the above figures including 3ft below the unit.

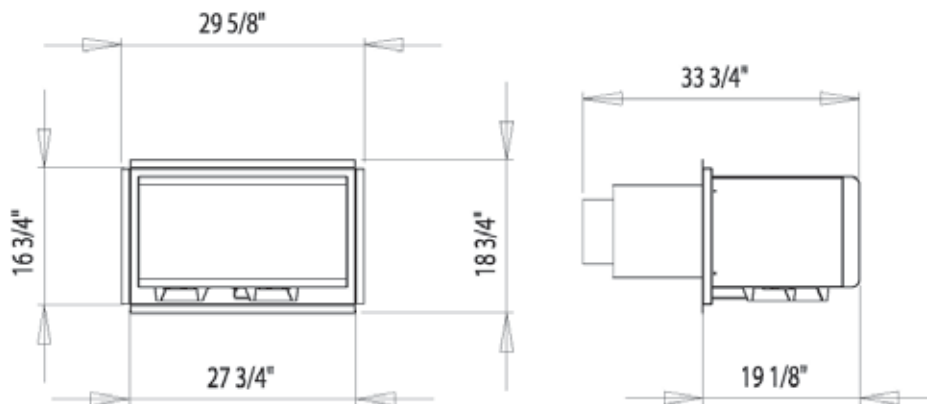
Ensure that the vent pipe is properly supported.

A High Capacity Power Vent System must be used for all horizontally vented TC54 units.

Maximum venting - 66ft plus six 90 degree elbows



Power Vent Terminal Dimensions



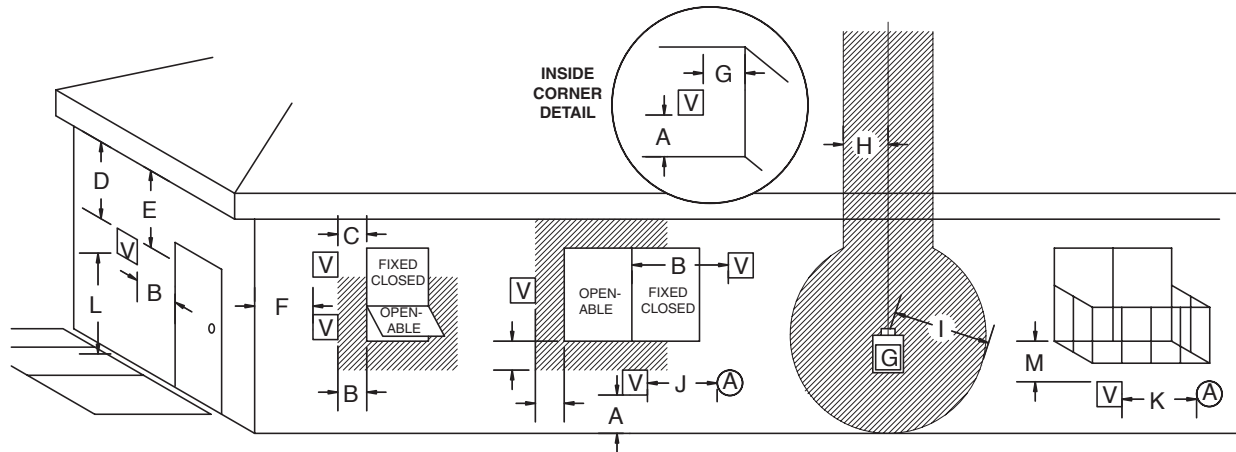
TCVT.PVAX2-DIMS.dxf
Available on CD ROM
and www.townandcountryfireplaces.net

For reference only. Consult Manual before installation

Horizontal Termination Minimum Clearances

Minimum clearances to the vent terminal must be maintained as shown below. Measure clearances to the nearest edge of termination hood.

NOTE: Vent terminal must not be recessed into a wall or siding.



VENT TERMINAL

AIR SUPPLY INLET

AREA WHERE TERMINAL IS NOT PERMITTED

GAS METER

- A= clearances above grade, veranda, porch, deck, or balcony [* 36 inches (91.5 cm) minimum]
- B= clearance to window or door that may be opened [* 12 inches (30 cm) minimum]
- C= clearance to permanently closed window [minimum 12 inches (30 cm) recommended to prevent condensation on window]
- D= vertical clearance to ventilated soffit located above the terminal within a horizontal distance of 12" (30 cm) minimum.
- E= clearance to unventilated soffit [12 inches (30 cm) minimum]
- F= clearance to outside corner [12 inches (30 cm) minimum]
- G= clearance to inside corner [36 inches (91.5 cm) minimum]
- H= * not to be installed above a meter/regulator assembly within

- I= clearance to service regulator vent outlet [* 3 feet (90 cm) minimum]
- J= clearance to nonmechanical air supply inlet to building or the combustion air inlet to any other appliance [* 12 inches (30 cm) minimum]
- K= clearance to a mechanical air supply inlet [* 6 feet (1.8 m) minimum]
- L= ^ clearance above paved side-walk or a paved driveway located on public property [* 7 feet (2.1 m) minimum]
- M= clearance under veranda, porch, deck, or balcony [12 inches (30 cm) minimum**]

^ a vent shall not terminate directly above a side-walk or paved driveway which is located between two single family dwellings and serves both dwellings*

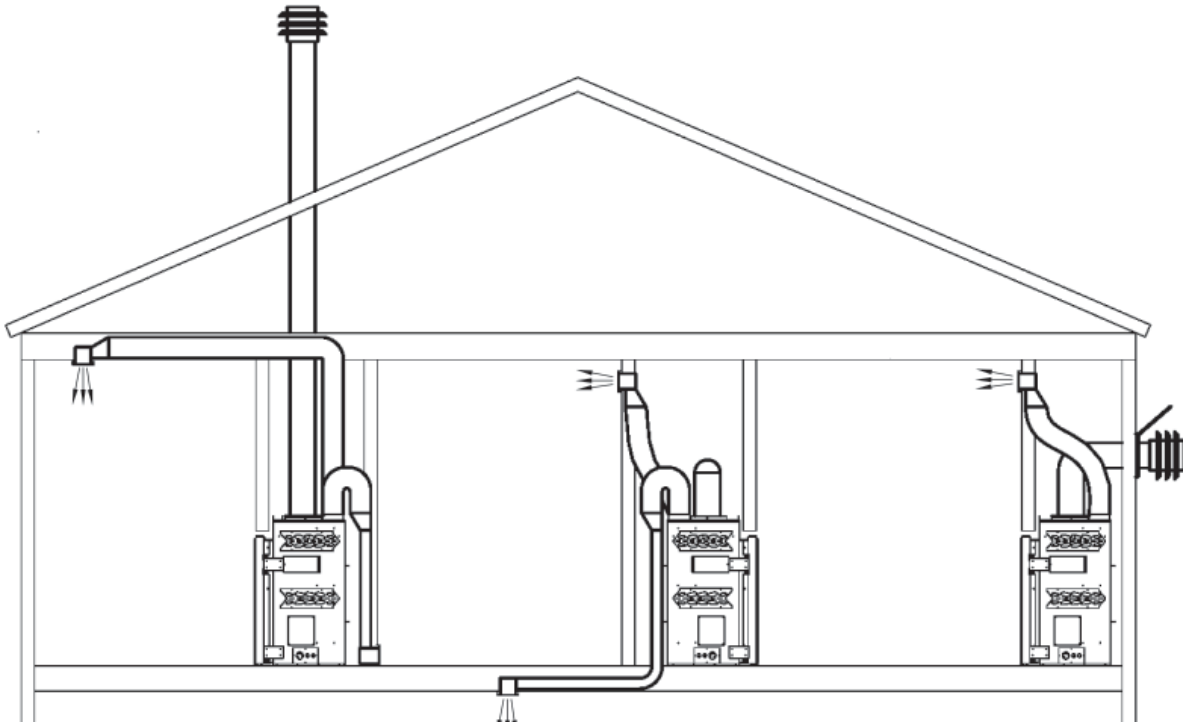
** only permitted if veranda, porch, deck, or balcony is fully open on a minimum of 2 sides beneath the floor*

* as specified in CGA B149 Installation Codes, Note: local Codes or Regulation may require different clearances

* for U.S.A. Installations follow the current National Fuel Gas Code, ANSI Z223.1

For reference only. Consult Manual before installation

Remote Heat Kit



Transfer heat to a room adjacent to, above or below the fireplace.

Up to two optional Remote Heat Kits can be installed on each Town & Country Fireplace.



TC.RHKA-Architect.dxf
Available on CD ROM
and www.townandcountryfireplaces.net

For reference only. Consult Manual before installation



TOWN & COUNTRY
FIREPLACES™

Web: www.townandcountryfireplaces.net

Phone: 1-877-715-2664

2975 Allenby Road, Duncan, BC Canada V9L 6V8