



TOWN & COUNTRY
FIREPLACES™

Guidelines for Construction of Square or Pyramid Style Shroud

May be used with multiple terminals

All Shrouds must be constructed from corrosion resistant, non-combustible materials.

* For each additional terminal add a minimum of 30" to length.

Note: Measure from top of chase to top of terminal to determine H.

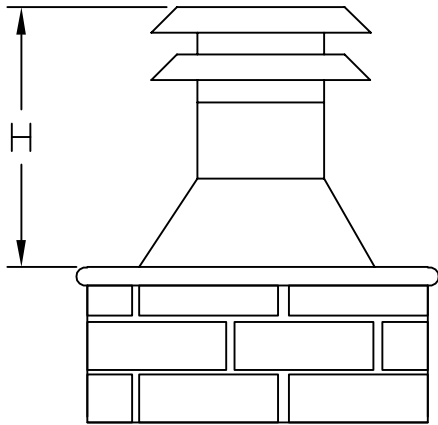


Fig. #1
Open top
style

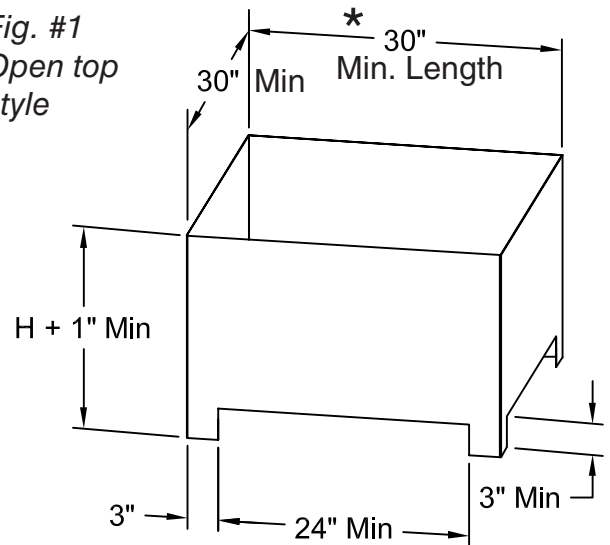
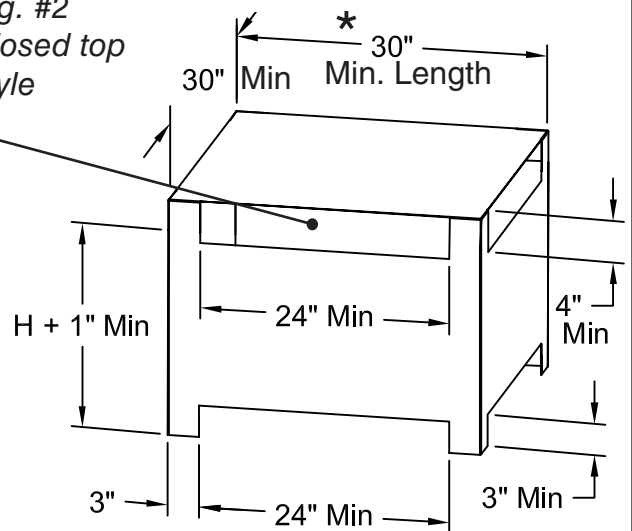
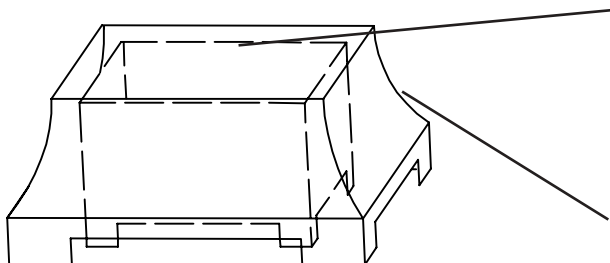


Fig. #2
Closed top
style

Open all
4 sides



Dashed lines represent minimum dimensional design from Figs 1 & 2. This represents the minimum open area that must be present.



Sides may be vertical, sloped or curved if desired, as long as minimum opening is maintained.



TOWN & COUNTRY
FIREPLACES™

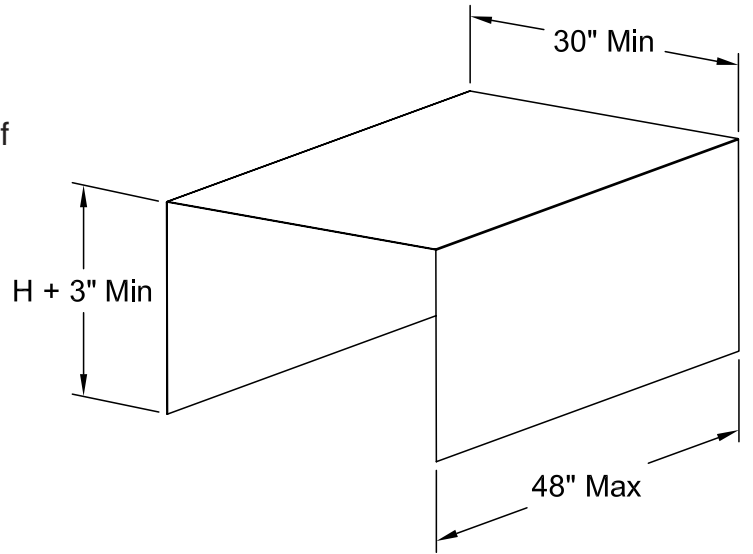
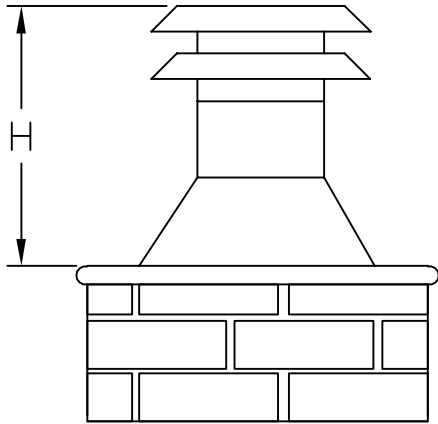
Guidelines for Construction of Mailbox Style Shroud

Not for use with multiple terminals

All Shrouds must be constructed from corrosion resistant, non-combustible materials.

Fig. #1

Note: Measure from top of chase to top of terminal to determine H.



Dashed lines represent minimum dimensional design from Fig 1. This represents the minimum open area that must be present.

Sides may be vertical, sloped or curved if desired, as long as minimum opening is maintained.

