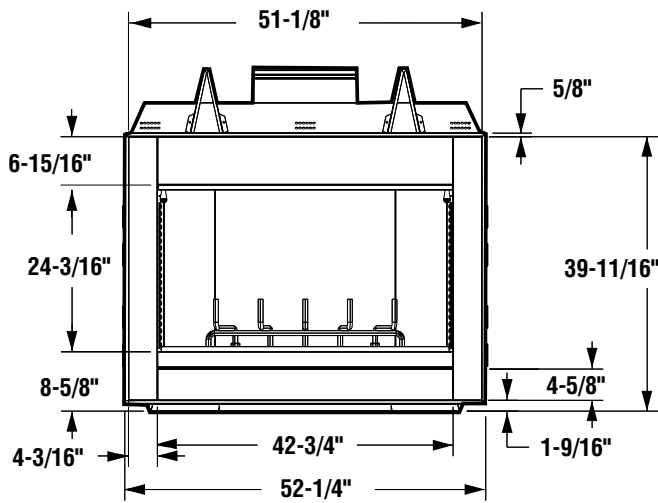
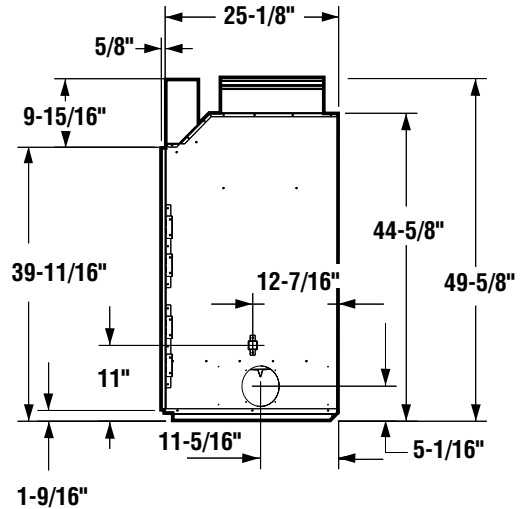


# LS0-43

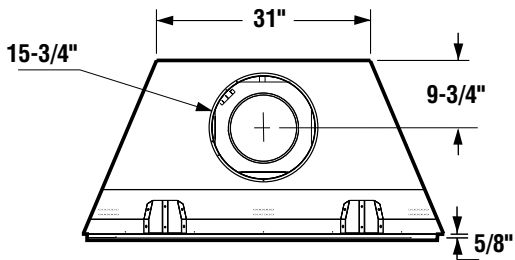
## Appliance Specifications



Front View



End View

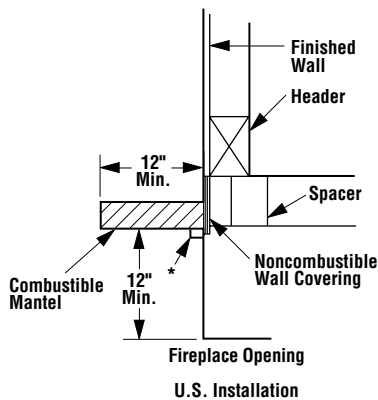


Top View

## Fireplace Finishes

### Mantels and Trim

If a mantel is of a non-combustible material, it is exempt from these requirements as long as it does not interfere with the installation or operation of glass doors.

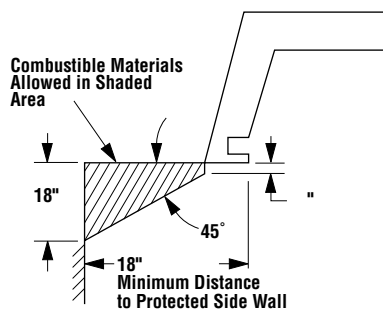


U.S. Installation

\* A 1" Projection Is Permitted Between The Face Top And Mantle

### Surrounds

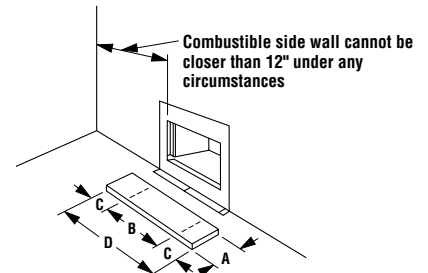
Combustible materials may project beyond the sides of the fireplace opening as long as they are kept within the shaded areas.



## Hearth Extensions

A hearth extension must be installed with all fireplaces. Its purpose is twofold. It protects a combustible floor in front of the fireplace from both radiant heat and sparks and it distinguishes the prescribed hearth extension area from other unprotected surfaces.

The hearth extension must extend beyond the front at least 20" and both sides at least 12". If the fireplace is installed on a combustible floor, use the metal safety strips (provided) on the floor extending half under the fireplace and half under the hearth extension.



### Hearth Extensions

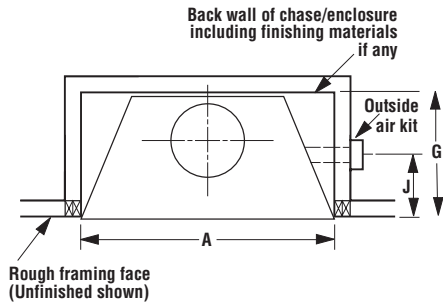
#### Hearth Extension Dimension

Opening Width	38"	43"
A	20"	20"
B	38"	43"
C	12"	12"
D	62"	67"

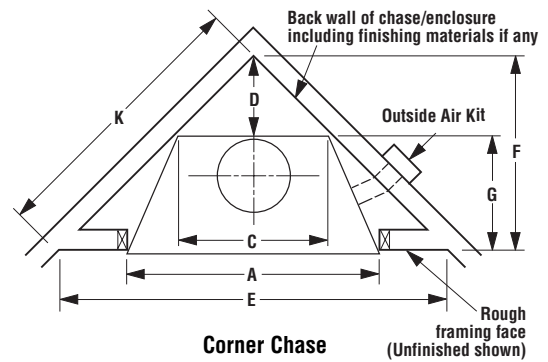
# LSO-43

## Framing Specifications

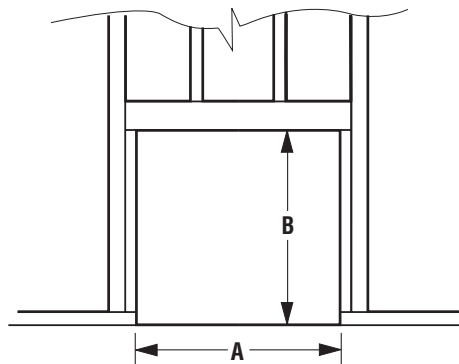
*Note: Framing dimensions are calculated for a nailing flange depth of 1/2".*



**Outside Chase**



**Corner Chase**



**Framing**

### Framing Dimensions

	Opening Width
	LSO-43
<b>A</b>	52 7/8"
<b>B</b>	50"
<b>C</b>	31-3/4"
<b>D</b>	15-7/8"
<b>E</b>	82"
<b>F</b>	41"
<b>G</b>	25-5/8"
<b>J</b>	13-7/8"
<b>K</b>	58"