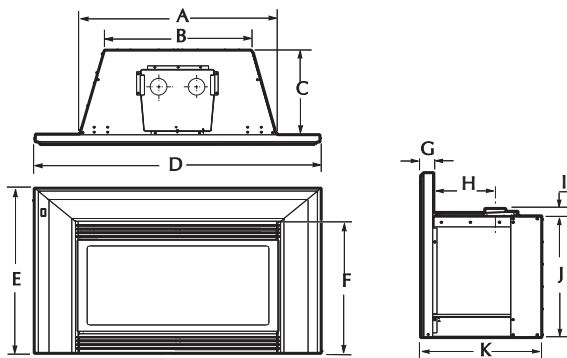


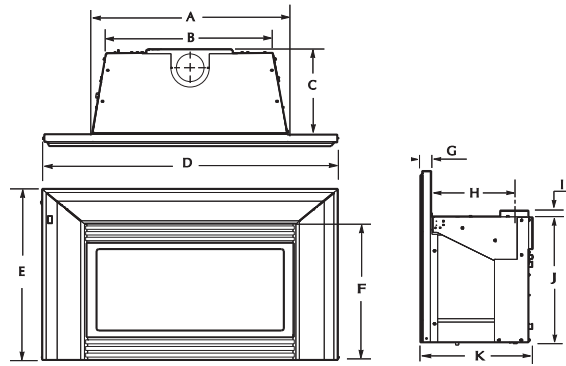
EDVI-30, EDVI-35, EBVI-30

DIMENSIONS



EDVI30 & EDVI35 (Direct-Vent inserts)

	EDVI30	EDVI35
A	25-15/16" (659 mm)	32-1/16" (814 mm)
B	22-1/4" (578 mm)	24-3/16" (614 mm)
C	13-7/16" (341 mm)	16-7/8" (427 mm)
D	Small 40-1/4" (1022 mm) Medium 45-3/4" (1162 mm) Large 49-1/4" (1251 mm)	N/A
E	Small 27-1/2" (699 mm) Medium 30-1/4" (768 mm) Large 32" (813 mm)	N/A
F	20-7/8" (530 mm)	26-11/16" (678 mm)
G	1-13/16" (46 mm)	1-13/16" (46 mm)
H	9-15/16" (252 mm)	9-7/8" (251 mm)
I	1-7/16" (37 mm)	1-5/8" (41 mm)
J	20-1/4" (514 mm)	24" (610 mm)
K	15-1/4" (387 mm)	18-3/8" (467 mm)



EBVI30 (B-Vent insert)

	EBVI30
A	26-1/16" (662 mm)
B	22-3/8" (568 mm)
C	13-3/8" (340 mm)
D	Small 40-1/4" (1022 mm) Medium 45-3/4" (1162 mm) Large 49-1/4" (1251 mm)
E	Small 27-1/2" (699 mm) Medium 30-1/4" (768 mm) Large 32" (813 mm)
F	20-7/8" (530 mm)
G	1-13/16" (46 mm)
H	11-1/2" (292 mm)
I	1" (25 mm)
J	20" (508 mm)
K	15-1/8" (384 mm)

PRODUCTS AND DEALERS YOU CAN COUNT ON

At Lennox, we understand how important it is for you to feel comfortable at home. We are committed to providing you with the finest hearth products available. And choosing the right dealer for your hearth needs is every bit as important as choosing the right brand. We think you'll agree that our dealers are a big reason why you can count on getting quality customer service when you call.

NOTE: Diagrams, illustrations and photographs are not to scale – consult installation instructions. Product designs, materials, dimensions, specifications, colors and prices subject to change or discontinuance without notice. Local conditions, such as elevation, wind, vent configuration and choice of fuel will affect the overall appearance of the fire. Approved to U.S. and Canadian safety and performance standards – ANSI Z21.88/CSA 2.33-M98 vented gas fireplace heaters.