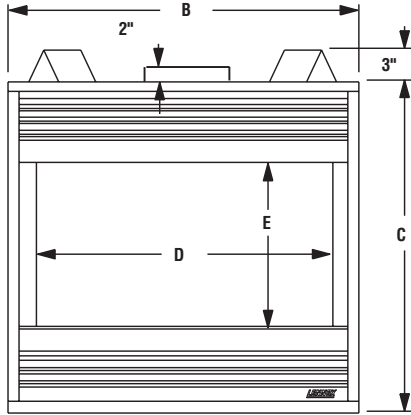
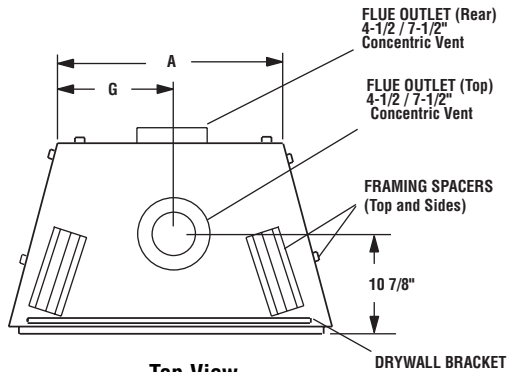


ED3530/4540-2/4035-2

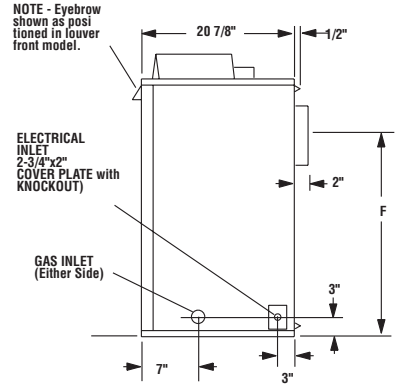
Appliance Specifications



Front View



Top View



Right Side View

	A	B	C	D	E	F	G
ED3530	21 1/2"	35 1/8"	37 1/8"	29 1/2"	21" *	27 1/2"	10 3/4"
ED4035-2	26 1/2"	40 1/8"	37 1/8"	34 1/2"	21" *	27 1/2"	13 1/4"
ED4540-2	31 1/2"	45 1/8"	37 1/8"	39 1/2"	21" *	27 1/2"	15 3/4"

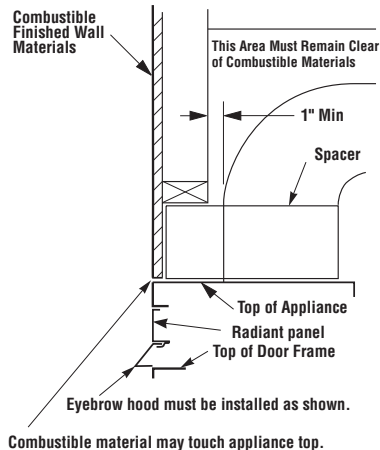
* 24" with bustles removed

Fireplace Finishes

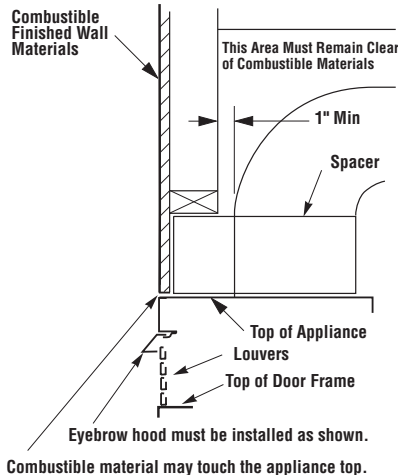
Table 2

Wall Details

Complete finished interior wall. To install the appliance facing flush with the finished wall, position framework to accommodate the thickness of the finished wall.

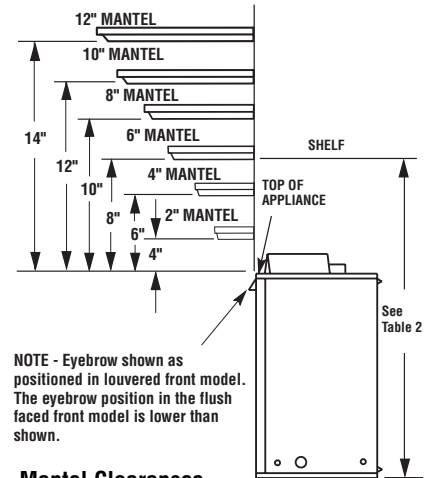


Clean Face Models



Louver Face Models

Shelf Height	Top Vent w/90° Elbow		Rear Vent	
	Rigid	Flex	Rigid	Flex
ED3530	52 1/8"	54 3/4"	40 1/4"	40 1/4"
ED4540-2	52 1/8"	54 3/8"	40 1/4"	40 1/4"
ED4035-2	52 1/8"	54 3/8"	40 1/4"	40 1/4"



Mantel Clearances

Shelf Clearance

To provide for the lowest possible shelf surface use the alternate rear vent outlet with attached venting routed in a way to minimize obstructions to the use of the space above the appliance. The minimum height from the base of the appliance to the underside of combustible materials used to construct a utility shelf in this fashion is shown in Table 2. The weight of the utility shelf and anything placed upon it may not be supported by the appliance in anyway.

ED3530/4540-2/4035-2

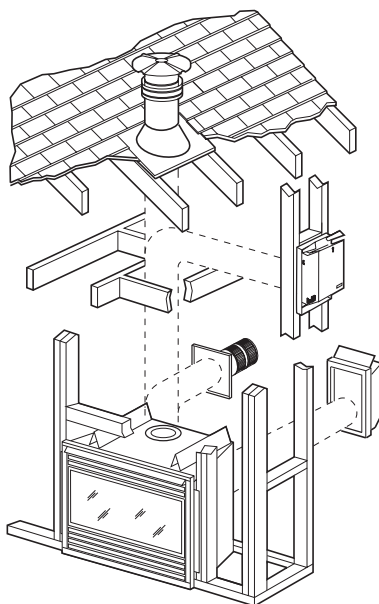
Clearances

The appliance is approved with zero clearance to combustible materials on all sides with the following exception: When the unit is installed with one side flush with a wall, the wall on the other side of the unit must not extend beyond the front edge of the unit. In addition, when the unit is recessed, the side walls surrounding the unit must not extend beyond the front edge of the unit. See Table 1.

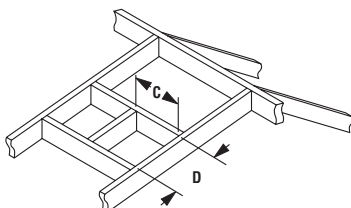
Table 1

Clearances to Combustibles	
Back	1/2"-0" spacers
Sides	1/2"-0" spacers
Top Spacers	0"
Floor	0"
Vent	1"*
Vent Seal Caps	1"
Service Clearances	
Front	3 feet

*Note: 3" above any horizontal vent component.



Typical Installation



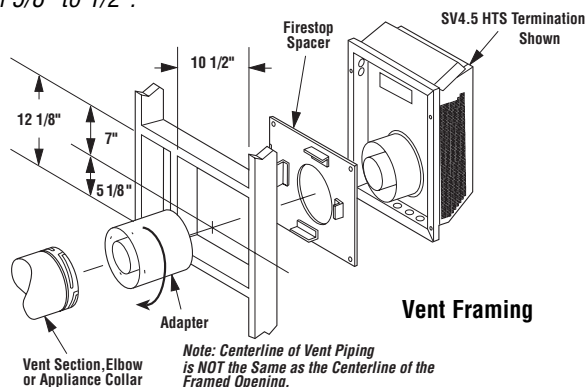
Roof Framing

Roof Framing Dimensions

Pitch	C	D
0/12	10"	10"
6/12	10"	12"
12/12	10"	17 3/4"

Framing Specifications

Note: Nailing flange is adjustable from 5/8" to 1/2".



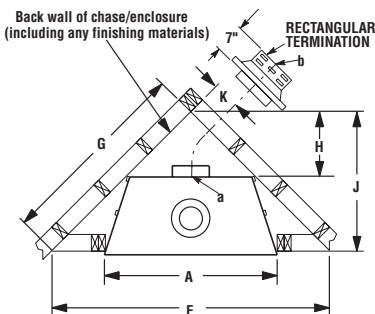
Vent Framing

Note: Centerline of Vent Piping is NOT the Same as the Centerline of the Framed Opening.

Vent Clearance

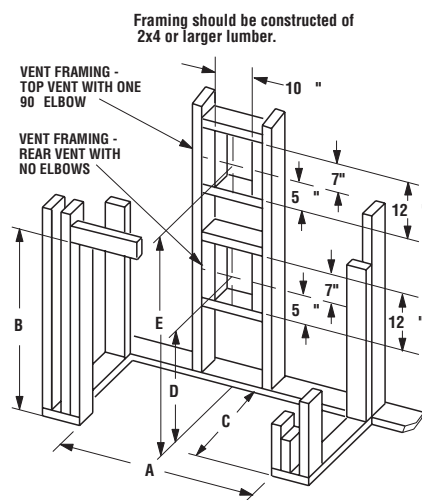
	Top	Sides	Bottom
Horizontal	3"	1"	1"
Vertical	1"	1"	1"

	F	G	H	J	K
ED3530	65 1/2"	46 15/16"	11 7/8"	32 3/4"	5"
ED4035-2	67 15/16"	48"	13"	33 7/8"	5 3/4"
ED4540-2	72 15/16"	51 9/16"	15 1/2"	36 3/8"	7 1/2"



NOTE - Venting requirements for rear vent applications in corner installations -
 - The rectangular termination must be used.
 - Horizontal vent length "a" to "b," must not exceed 28"

Corner



Framing

	A	B	C		D	E
			Rear Vent	Top Vent		
ED3530	35 1/4"	40 1/4"	20 7/8"	23 5/8"	27 1/2"	45 7/8"
ED4035-2	40 1/4"	40 1/4"	20 7/8"	23 5/8"	27 1/2"	45 7/8"
ED4540-2	45-1/4"	40 1/4"	20 7/8"	23 5/8"	27 1/2"	45 7/8"

Note: All dimensions calculated for 1/2" dry wall at the appliance face. If sheathing the chase or finishing with other thickness materials, calculations will need to be made.

