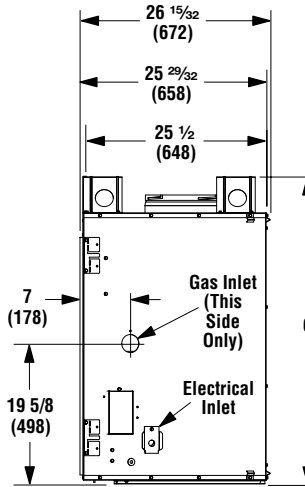
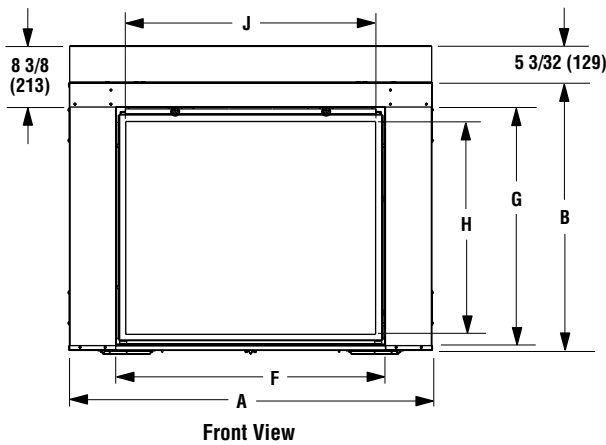
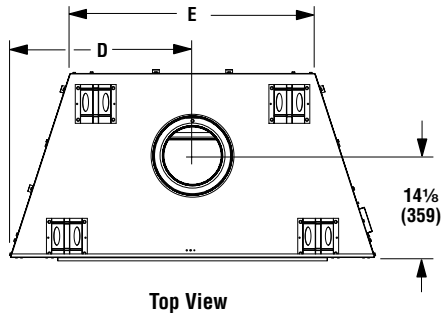


MONTEBELLO™

Appliance Specifications

Unit Dimensions

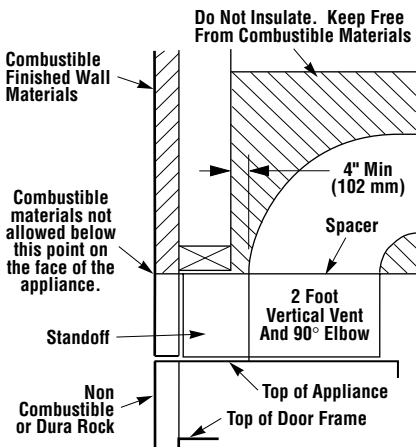
Model No.		A	B	C	D	E	F	G	H	J
LSM40	in.	50 5/8	37 1/4	42 7/8	25 5/16	34	37 5/8	33 3/32	29 9/32	34 3/4
	mm	1286	946	1089	643	864	956	840	744	883
LSM45	in.	56 11/16	42 1/4	47 7/8	28 3/8	40 1/8	43 5/8	38 3/32	34 1/2	40 59/64
	mm	1440	1073	1216	721	1019	1108	968	876	1039



Fireplace Finishes

Wall Details

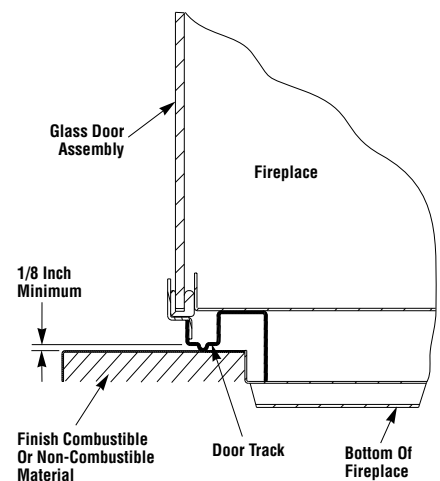
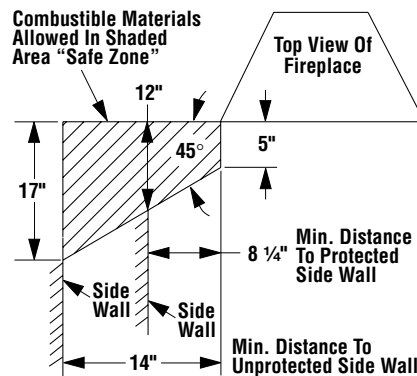
Complete finished interior wall. To install the appliance facing flush with the finished wall, position framework to accommodate the thickness of the finished wall.



Non-combustible materials, such as surrounds and other appliance trim, may be installed on the appliance front face with the exceptions.

Vertical installation clearances to combustible mantels vary according to the depth of the mantel. Mantels constructed of non-combustible materials may be installed at any height above the appliance opening.

Combustible materials may project beyond the sides of the fireplace opening as long as they are kept within the shaded areas illustrated.



A hearth extension is not required with this appliance. If a hearth extension is used, do not block the lower control compartment door. Any hearth extension used is for appearance only and does not have to conform to standard hearth extension installation requirements. The clearance below the door track bottom is 1/8 inch. **Do not block 1/8" below door track with any finishing material.**



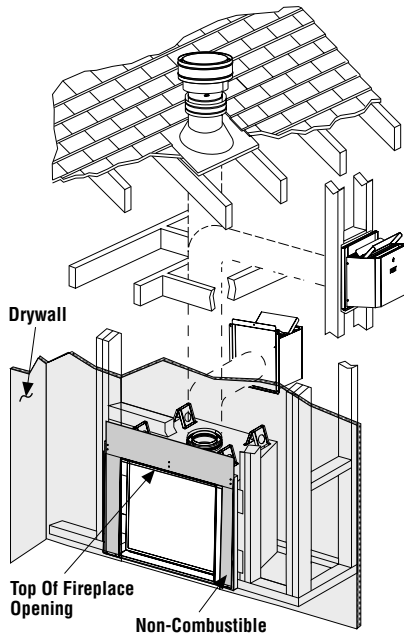
HEARTH PRODUCTS

MONTEBELLO™

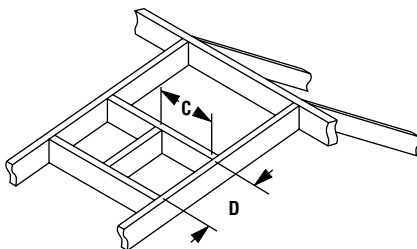
CLEARANCES

The appliance is approved with zero clearance to combustible materials on all sides, with the following exception: When the unit is installed with one side flush with a wall, the wall on the other side of the unit must not extend beyond the front edge of the unit. In addition, when the unit is recessed, the side walls surrounding the unit must not extend beyond the front edge of the unit. See the Table below.

BACK	1/2" - 0" Spacers
SIDES	1/2" - 0" Spacers
TOP SPACERS	0" (0 mm)
FLOOR	0" (0 mm)
FROM BOTTOM OF UNIT TO CEILING	69"



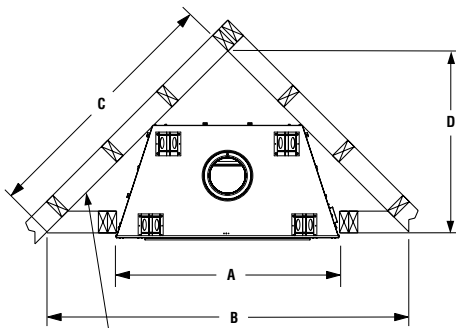
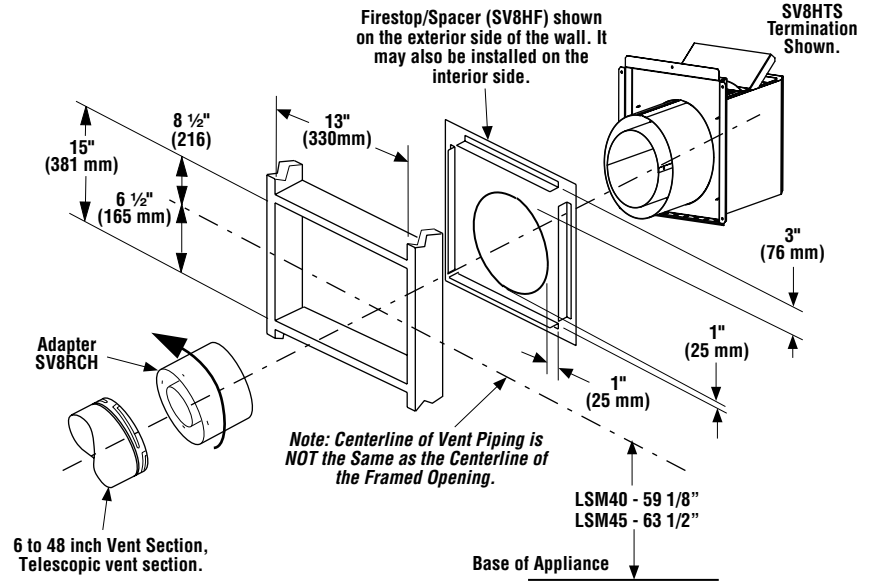
TYPICAL INSTALLATION



Framing Dimensions for Roof

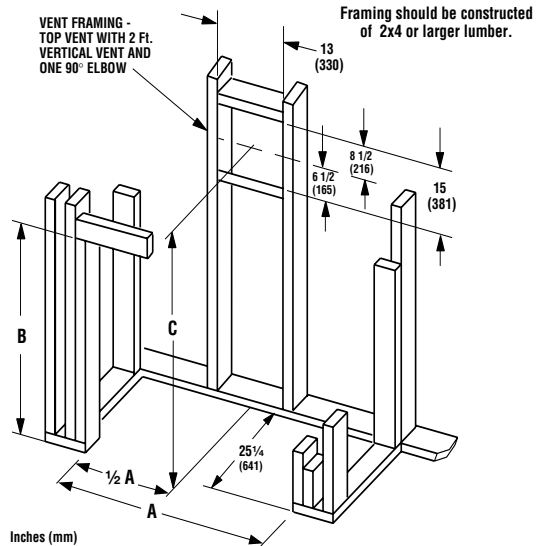
Pitch	C	D
0/12	13 in.	13 in.
6/12	13 in.	15 1/2 in.
12/12	13 in.	20 1/2 in.

Framing Specifications



Back wall of chase/enclosure (including any finishing materials)

Model No.	A	B	C	D
LSM40	in. 50 5/8	83 5/8	59 1/8	41 7/8
	mm 1286	2124	1502	1064
LSM45	in. 56 3/4	89 7/8	63 1/2	44 7/8
	mm 1441	2283	1613	1140



Inches (mm)

Model No.	A	B	C
LSM40	in. 50 3/4	43	75 1/8
	mm 1289	1092	1908
LSM45	in. 56 7/8	48	80 1/16
	mm 1445	1219	2034



HEARTH PRODUCTS