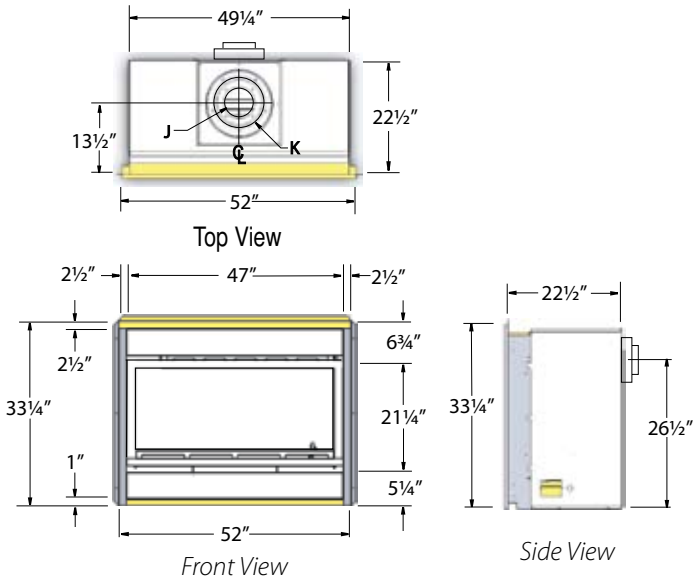


## Installing The Fireplace Shell

The fireplace may be installed in any location that maintains proper clearances to air conditioning ducts, electrical wiring and plumbing. Safety, as well as efficiency of operation, must be considered when selecting the fireplace location. Try to select a location that does not interfere with room traffic, has adequate ventilation, and offers an accessible pathway for the installation. Refer to page x - *Vent Installation* for more information.

The fireplace dimensions are shown below:



### Clearances

These clearances apply to all dimensions except the framed opening, where the clearances to combustibles is 0". The DV52 clearances to combustible materials are:

Top - Rear Vent *	N/A
Top - Top Vent	24"
Back	3"
Sides	2"
Floor	0"
Mantle**	4"

\* Clearance from the top of the fireplace to a combustible ceiling within the fireplace enclosure

\*\* Refer to the 'insert-section' section of this manual.

Unprotected combustible walls which are perpendicular to the fireplace opening, must not project beyond the shaded area shown in Figure XX.

For protection against freezing temperatures, it is recommended that the outer walls of the chase be insulated with a vapor barrier. This will reduce the possibility of a cold-air convection current on the fireplace.

## Framing

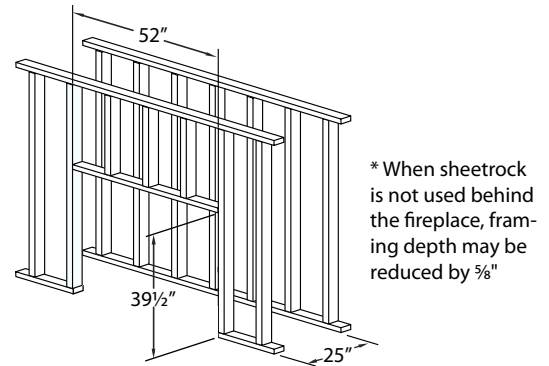


Figure 2. Framing dimensions.

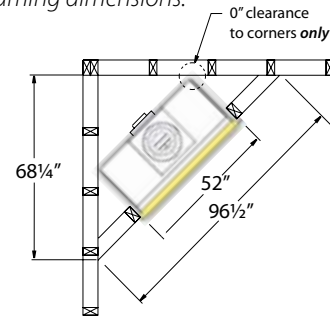


Figure 3. Minimum Corner framing dimensions, using a 45° elbow.

When installing a shelf over the top of the fireplace, the following guidelines must be adhered to: for top vented applications, the minimum clearance is 24". (Minimum 2" clearance must still be maintained around the vent pipes.)

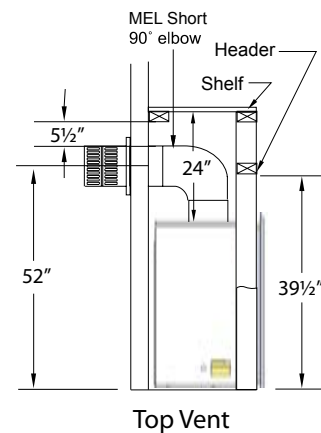


Figure 4. Framing for shelves over the fireplace.

### WARNING:

When this appliance is installed directly on carpeting, tile or any combustible material other than wood flooring, it must be installed on a metal or wood panel extending the full width and depth of the appliance.